

Sealed double socket 2P+E, 16A 250V~. IP44. Surface.

Sealed double socket 2P+E, 16A 250V~. IP44. Surface. Tube inputs up to Ø 20 mm. External dimensions 127 x 80 x 55 mm. Screw connection.



Features

| | |
|--------------------------------|---|
| Common applications | Domestic / tertiary outdoor environment (garden, swimming pool, parking, public road, etc.) |
| Mechanism type | Double fixed base |
| Type of installation | Surface |
| Rated current | 16A |
| Nominal voltage | 250V~ (50/60 Hz) |
| Connection type | Screw connection |
| Tube inlet | Up to Ø 20 mm |
| Flexible cable section | Up to 2.5 mm ² |
| Rigid cable section | Up to 2.5 mm ² |
| Power | 3680 W |
| Dimensions | 127 x 80 x 55 |
| Monobloc (with frame included) | Yes |
| Frame color | Grey |

Technical data

| | |
|---------------------------------|-----------------|
| Insulation class | Class II |
| Fire resistance (GWEPT) | 650/850 °C |
| Heat resistance (Ball pressure) | 70/125 °C |
| Installation temperature | -5 °C -> +60 °C |
| Free of halogens | Yes |

Regulations

| | |
|---|--|
| CE marking | Yes |
| According to Regulations UNE/EN | UNE 20315-1-1:2017 UNE 20315-1-2:2017 |
| In accordance with the Low Voltage Electrotechnical Regulations (REBT) | Yes |
| VDE certificate | Yes |
| In accordance with the Regulation (EU) 2023/988 of the European Parliament and of the Council on general product safety | Yes |

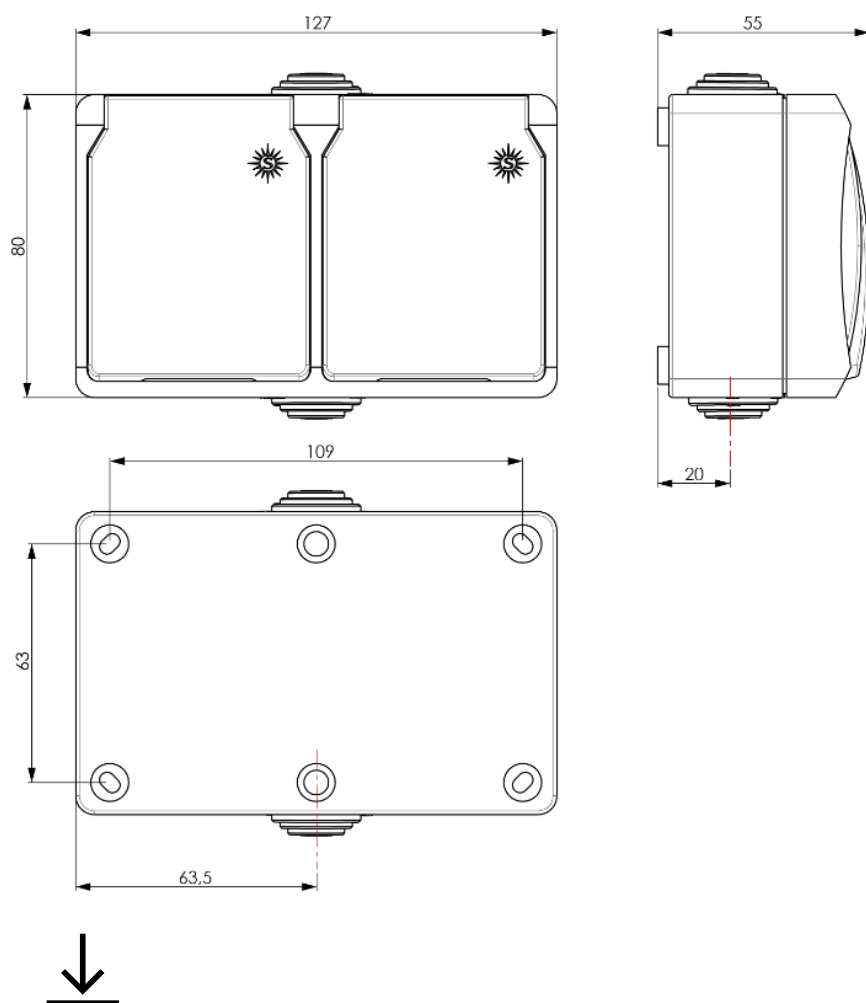
Sustainability

| | |
|--|-----------------------|
| According to European Directive 2011/65/UE (RoHS) | Yes |
| According to European Directive 2012/19/UE (RAEE2) | Yes |
| According to Regulations (RoHS) | UNE-EN IEC 63000:2022 |

Logistics and packaging

| | |
|---------------------------|----------------|
| Unit EAN code | 8423220078512 |
| EAN code container | 8423220069350 |
| EAN code packaging | 18423220069357 |
| Units packaging | 10 |
| Units carton | 60 |
| Pallet Units | 1260 |
| Packaging Measurements cm | 28x19,5x14 |
| Packaging Measures cm | 45,5x41,5x30 |
| Unit weight (g) | 199,2 |
| Container Weight (Kg) | 2,104 |
| Packaging Weight (Kg) | 13,392 |
| Tariff code | 85366990 |

Sketch



Documentation and downloads



Commercial doc. (2.27MB)



Safety Information (0.38MB)



Watertight switch IP54/44 (Solera)



Assembly watertight switches IP54/44 (Solera)