

Sealed socket 2P+E, 16A 250V~ + Sealed 2-way switch, 10AX 250V~. Vertical. IP44. Surface.

Sealed socket 2P+E, 16A 250V~ + Sealed 2-way switch, 10AX 250V~. Vertical. IP44. Screw connection. Surface. Tube inputs up to Ø 20 mm. External dimensions 80 x 127 x 55 mm.



Features

Common applications	Domestic / tertiary outdoor environment (garden, swimming pool, parking, public road, etc.)
Mechanism type	switch + fixed base
Rated current	16A
Nominal voltage	250V~ (50/60 Hz)
Connection type	Screw connection
Tube inlet	Up to Ø 20 mm
Flexible cable section	Up to 2.5 mm ²
Rigid cable section	Up to 2.5 mm ²
Type of operation	Rocker key
Dimensions	127 x 80 x 55
Monobloc (with frame included)	Yes
Frame color	Grey

Technical data

Insulation class	Class II
Heat resistance (Ball pressure)	70/125 °C
Installation temperature	-5 °C -> +60 °C
Free of halogens	Yes

Regulations

CE marking	Yes
According to Regulations UNE/EN	UNE-EN 60669-1:2018 UNE 20315-1-1:2017 UNE-20315-1-2:2017
In accordance with the Low Voltage Electrotechnical Regulations (REBT)	Yes
VDE certificate	Yes
According to European Directive 2014/35 / EU. Low voltage directive	Yes

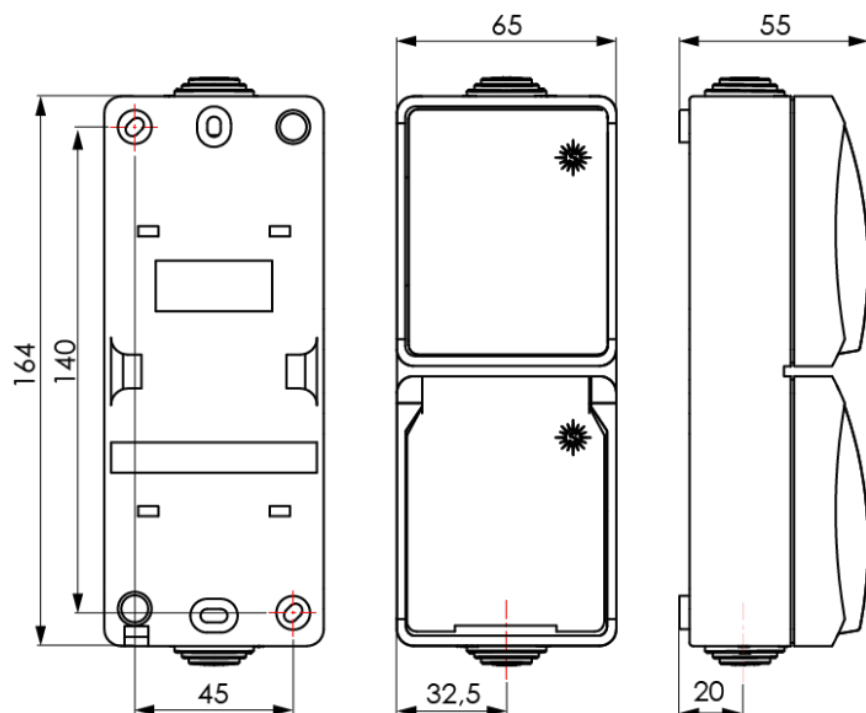
Sustainability

According to European Directive 2011/65/UE (RoHS)	Yes
According to European Directive 2012/19/UE (RAEE2)	Yes
According to Regulations (RoHS)	UNE-EN IEC 63000:2022

Logistics and packaging

Unit EAN code	8423220231955
EAN code container	8423220231948
EAN code packaging	18423220231945
Units packaging	10
Units carton	60
Pallet Units	1260
Packaging Measurements cm	28x19,5x14
Packaging Measures cm	45,5x41,5x30
Unit weight (g)	195
Container Weight (Kg)	2,062
Packaging Weight (Kg)	13,14
Tariff code	85366990

Sketch



Documentation and downloads



Commercial doc. (2.27MB)



Safety Information (0.38MB)



Watertight switch IP54/44 (Solera)



Assembly watertight switches IP54/44 (Solera)