

Sealed socket 2P+E, 16A 250V~. IP44. Surface.

Sealed socket 2P+E, 16A 250V~. IP44. Surface. Tube inputs up to Ø 20 mm.
External dimensions 65 x 80 x 55 mm. Screw connection.



Features

Common applications	Domestic / tertiary outdoor environment (garden, swimming pool, parking, public road, etc.)
Mechanism type	Fixed base
Type of installation	Surface
Rated current	16A
Nominal voltage	250V~ (50/60 Hz)
Connection type	Screw connection
Tube inlet	Up to Ø 20 mm
Flexible cable section	Up to 2.5 mm ²
Rigid cable section	Up to 2.5 mm ²
Power	3680 W
Dimensions	65 x 80 x 55
Monobloc (with frame included)	Yes
Frame color	Grey

Technical data

Insulation class	Class II
Fire resistance (GWEPT)	650/850 °C
Heat resistance (Ball pressure)	70/125 °C
Installation temperature	-5 °C -> +60 °C
Free of halogens	Yes

Regulations

CE marking	Yes
According to Regulations UNE/EN	UNE 20315-1-1:2017 UNE 20315-1-2:2017
In accordance with the Low Voltage Electrotechnical Regulations (REBT)	Yes
VDE certificate	Yes
In accordance with the Regulation (EU) 2023/988 of the European Parliament and of the Council on general product safety	Yes

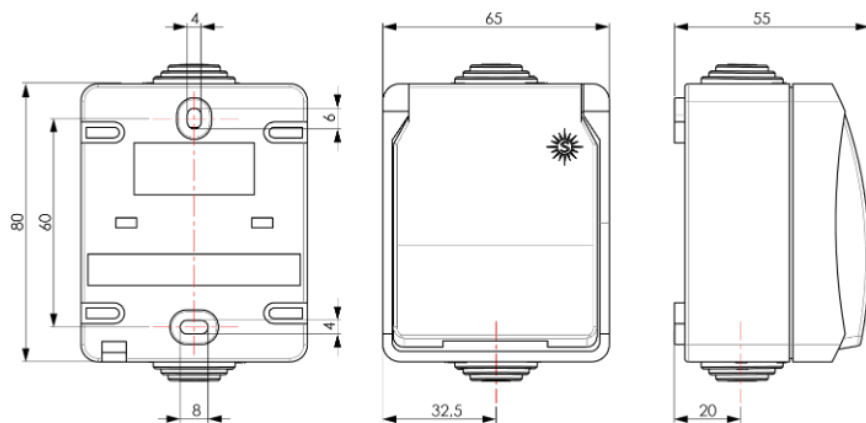
Sustainability

According to European Directive 2011/65/UE (RoHS)	Yes
According to European Directive 2012/19/UE (RAEE2)	Yes
According to Regulations (RoHS)	UNE-EN IEC 63000:2022

Logistics and packaging

Unit EAN code	8423220078475
EAN code container	8423220069312
EAN code packaging	18423220069319
Units packaging	20
Units carton	100
Pallet Units	3000
Packaging Measurements cm	33,5x19,5x12
Packaging Measures cm	61,5x34,5x22
Unit weight (g)	114,04
Container Weight (Kg)	2,3908
Packaging Weight (Kg)	12,494
Tariff code	85366990

Sketch



Documentation and downloads



Commercial doc. (2.27MB)



Safety Information (0.38MB)



Watertight switch IP54/44 (Solera)



Assembly watertight switches IP54/44 (Solera)