

RJ11 telephone jack. Surface.

RJ11 telephone jack. Surface. White colour. Dimensions 74 x 72 x 28 mm. Inputs for 10x16, 10x20 and 16x16 mm mini-trunking.



Features

Common applications	Indoor domestic / tertiary environment (Interior of home, offices, shops, etc.)
Mechanism type	RJ11 phone jack
Type of installation	Surface
Connection type	Screw connection
Mini trunking input	Yes
Dimensions	74 x 72 x 28
Monobloc (with frame included)	Yes
Frame color	White

Technical data

Fire resistance (GWEPT)	750/850 °C
Installation temperature	-5 °C -> +60 °C
Free of halogens	Yes

Regulations

CE marking	Yes
UK marking	Yes
CMim marking	Yes
According to Regulations UNE/EN	UNE-EN 50173-1:2018

In accordance with the Low Voltage Electrotechnical Regulations (REBT)	Yes
--	-----

According to European Directive 2014/35 / EU. Low voltage directive	Yes
---	-----

Sustainability

According to European Directive 2011/65/UE (RoHS)	Yes
---	-----

According to European Directive 2012/19/UE (RAEE2)	Yes
--	-----

According to Regulations (RoHS)	UNE-EN IEC 63000:2022
---------------------------------	-----------------------

Logistics and packaging

Unit EAN code	8423220082717
---------------	---------------

EAN code container	8423220082625
--------------------	---------------

EAN code packaging	18423220082622
--------------------	----------------

Units packaging	10
-----------------	----

Units carton	120
--------------	-----

Pallet Units	5760
--------------	------

Packaging Measurements cm	16x18x8
---------------------------	---------

Packaging Measures cm	49,5x19x34
-----------------------	------------

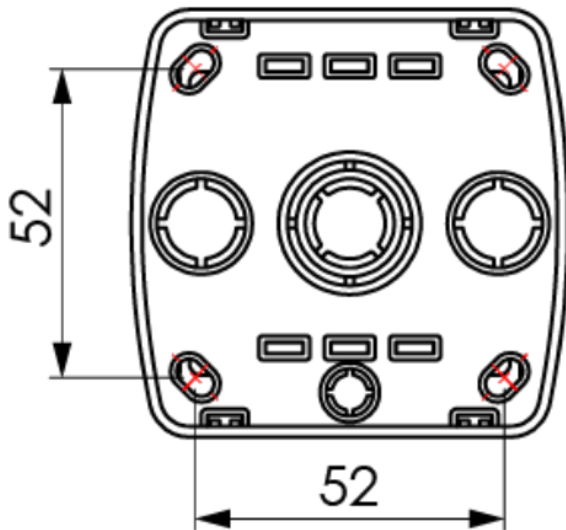
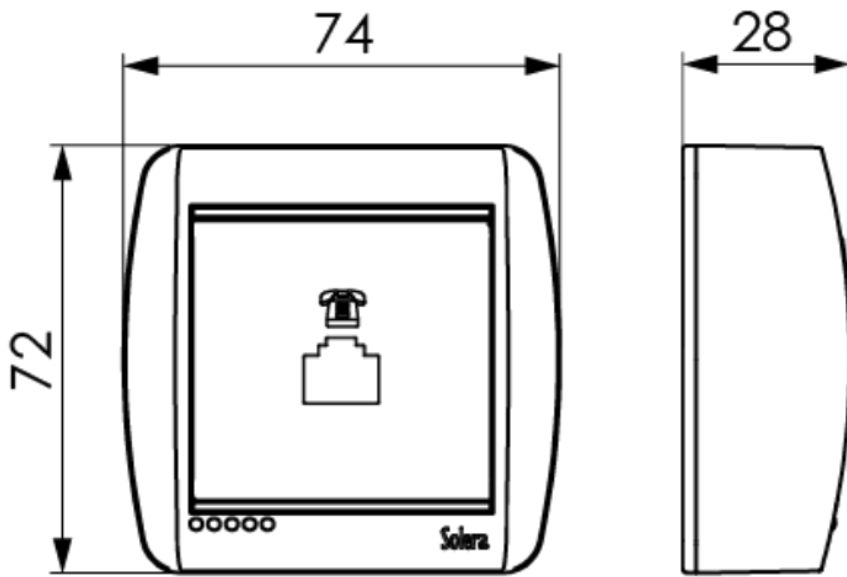
Unit weight (g)	46
-----------------	----

Container Weight (Kg)	0,592
-----------------------	-------

Packaging Weight (Kg)	7,704
-----------------------	-------

Tariff code	85366990
-------------	----------

Sketch



Documentation and downloads



Commercial doc. (2.65MB)



Surface switches Mural range (Solera)



Safety Information (0.38MB)



Assembly surface switches Mural range (Solera)