

## Junction and derivation box. Surface.

Junction and derivation box. Surface. White colour. Dimensions 74 x 72 x 28 mm. Inputs for 10x16, 10x20 and 16x16 mm mini-trunking.



## Features

|                                |   |
|--------------------------------|---|
| Common applications            | Indoor domestic / tertiary environment (Interior of home, offices, shops, etc.) |
| Mechanism type                 | Empalmetic registry   |
| Type of installation           | Surface   |
| Connection type                | Screw connection  |
| Mini trunking input            | Yes   |
| Dimensions                     | 74 x 72 x 28  |
| Monobloc (with frame included) | Yes   |
| Frame color                    | White   |

## Technical data

|                          |                 |
|--------------------------|-----------------|
| Fire resistance (GWEPT)  | 750/850 °C      |
| Installation temperature | -5 °C -> +60 °C |
| Free of halogens         | Yes             |

## Regulations

|                                 |                      |
|---------------------------------|----------------------|
| CE marking                      | Yes                  |
| UK marking                      | Yes                  |
| CMim marking                    | Yes                  |
| According to Regulations UNE/EN | UNE-EN 60670-22:2007 |

|  |     |
|--|-----|
| In accordance with the Low Voltage Electrotechnical Regulations (REBT) | Yes |
|--|-----|

|   |     |
|---|-----|
| According to European Directive 2014/35 / EU. Low voltage directive | Yes |
|---|-----|

## Sustainability

|   |  |
|---|--|
| According to European Directive 2011/65/UE (RoHS) | The Directive 2011/65/EU (RoHS II) is not applicable as it does not correspond to the definition of Electrical and Electronical Equipment (EEE) as per article 3.1 |
|---|--|

|  |   |
|--|---|
| According to European Directive 2012/19/UE (RAEE2) | Not applicable because it does not meet the definition of Electrical and Electronic Equipment (EEE) as described in Article 3.1(a) of Directive 2012/19/EU (WEEE II). |
|--|---|

## Logistics and packaging

|               |               |
|---------------|---------------|
| Unit EAN code | 8423220087279 |
|---------------|---------------|

|                    |               |
|--------------------|---------------|
| EAN code container | 8423220087286 |
|--------------------|---------------|

|                    |                |
|--------------------|----------------|
| EAN code packaging | 18423220087283 |
|--------------------|----------------|

|                 |    |
|-----------------|----|
| Units packaging | 10 |
|-----------------|----|

|              |     |
|--------------|-----|
| Units carton | 120 |
|--------------|-----|

|              |      |
|--------------|------|
| Pallet Units | 4800 |
|--------------|------|

|                           |           |
|---------------------------|-----------|
| Packaging Measurements cm | 22,5x16x8 |
|---------------------------|-----------|

|                       |              |
|-----------------------|--------------|
| Packaging Measures cm | 49,5x23,5x34 |
|-----------------------|--------------|

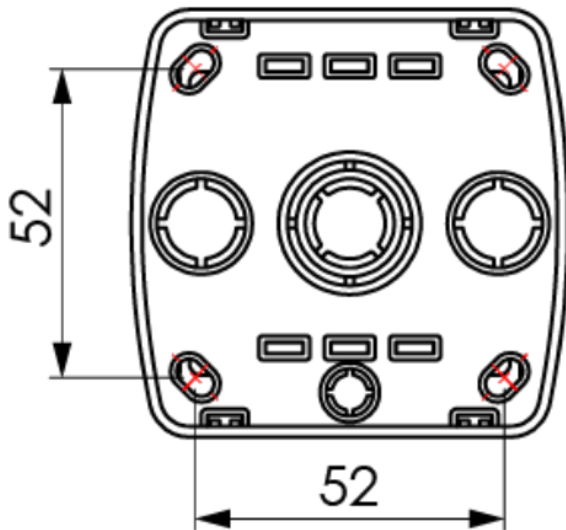
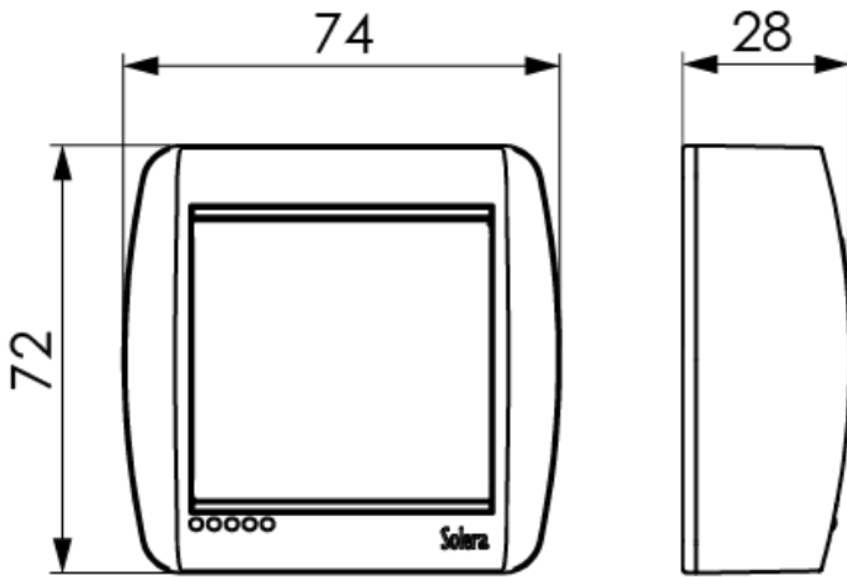
|                 |      |
|-----------------|------|
| Unit weight (g) | 65,8 |
|-----------------|------|

|                       |       |
|-----------------------|-------|
| Container Weight (Kg) | 0,806 |
|-----------------------|-------|

|                       |        |
|-----------------------|--------|
| Packaging Weight (Kg) | 10,339 |
|-----------------------|--------|

|             |          |
|-------------|----------|
| Tariff code | 85366990 |
|-------------|----------|

## Sketch



## Documentation and downloads



Commercial doc. (2.65MB)



Safety Information (0.38MB)



Surface switches Mural range (Solera)



Assembly surface switches Mural range (Solera)