

## Push button 10A 250V~. Surface.

Push button 10A 250V~. Surface. White colour. Dimensions 74 x 72 x 28 mm. Inputs for 10x16, 10x20 and 16x16 mm mini-trunking. Screw connection.



## Features

Common applications	Indoor domestic / tertiary environment (Interior of home, offices, shops, etc.)
Mechanism type	Bell push button
Type of installation	Surface
Rated current	10A
Nominal voltage	250V~ (50/60 Hz)
Connection type	Screw connection
Mini trunking input	Yes
Type of operation	Rocker key
Dimensions	74 x 72 x 28
Monobloc (with frame included)	Yes
Frame color	White

## Technical data

Fire resistance (GWEPT)	750/850 °C
Installation temperature	-5 °C -> +60 °C
Free of halogens	Yes

## Regulations

CE marking	Yes
------------	-----

UK marking	Yes
CMim marking	Yes
According to Regulations UNE/EN	UNE-EN 60669-1:2018
In accordance with the Low Voltage Electrotechnical Regulations (REBT)	Yes
TÜV Rheinland certificate	Yes
According to European Directive 2014/35 / EU. Low voltage directive	Yes

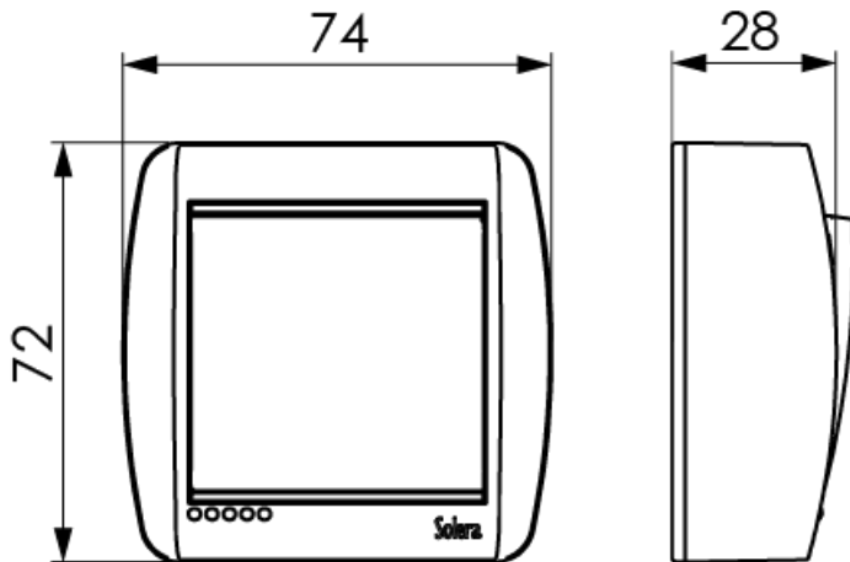
## Sustainability

According to European Directive 2011/65/UE (RoHS)	Yes
According to European Directive 2012/19/UE (RAEE2)	Yes
According to Regulations (RoHS)	UNE-EN IEC 63000:2022

## Logistics and packaging

Unit EAN code	8423220273634
EAN code container	8423220273627
EAN code packaging	18423220273624
Units packaging	10
Units carton	120
Pallet Units	5760
Packaging Measurements cm	16x18x8
Packaging Measures cm	49,5x19x34
Unit weight (g)	63,6
Container Weight (Kg)	0,768
Packaging Weight (Kg)	9,816
Tariff code	85366990

## Sketch



## Documentation and downloads



Commercial doc. (2.65MB)



Surface switches Mural range (Solera)



Safety Information (0.38MB)



Assembly surface switches Mural range (Solera)