

## RJ45 data collection. Category 5e. Surface.

RJ45 data collection. Category 5e. Surface. Graphite colour. Dimensions 74 x 72 x 28 mm. Inputs for 10x16, 10x20 and 16x16 mm mini-trunking.



## Features

Common applications	Indoor domestic / tertiary environment (Interior of home, offices, shops, etc.)
Mechanism type	RJ45 data capture. Cat 6
Type of installation	Surface
Connection type	Screw connection
Mini trunking input	Yes
Dimensions	74 x 72 x 28
Monobloc (with frame included)	Yes
Frame color	Graphite

## Technical data

Fire resistance (GWEPT)	750/850 °C
Installation temperature	-5 °C -> +60 °C
Free of halogens	Yes

## Regulations

CE marking	Yes
UK marking	Yes
CMim marking	Yes
According to Regulations UNE/EN	UNE-EN 50173-1:2018

In accordance with the Low Voltage Electrotechnical Regulations (REBT)	Yes
--	-----

According to European Directive 2014/35 / EU. Low voltage directive	Yes
---	-----

## Sustainability

According to European Directive 2011/65/UE (RoHS)	Yes
---	-----

According to European Directive 2012/19/UE (RAEE2)	Yes
--	-----

According to Regulations (RoHS)	UNE-EN IEC 63000:2022
---------------------------------	-----------------------

## Logistics and packaging

Unit EAN code	8423220263390
---------------	---------------

EAN code container	8423220263383
--------------------	---------------

Units packaging	10
-----------------	----

Units carton	120
--------------	-----

Pallet Units	5760
--------------	------

Packaging Measurements cm	16x18x8
---------------------------	---------

Packaging Measures cm	49,5x19x34
-----------------------	------------

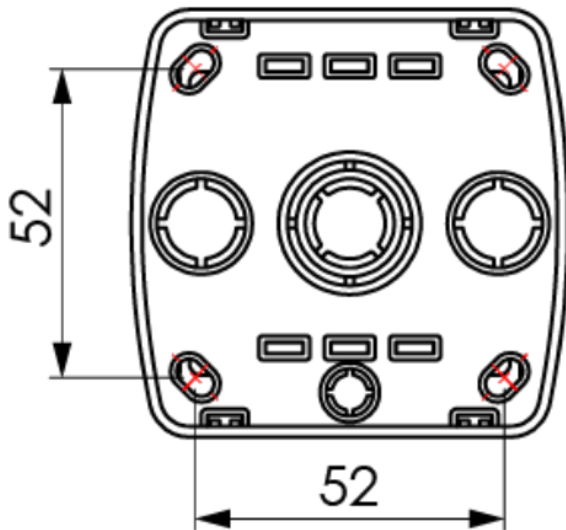
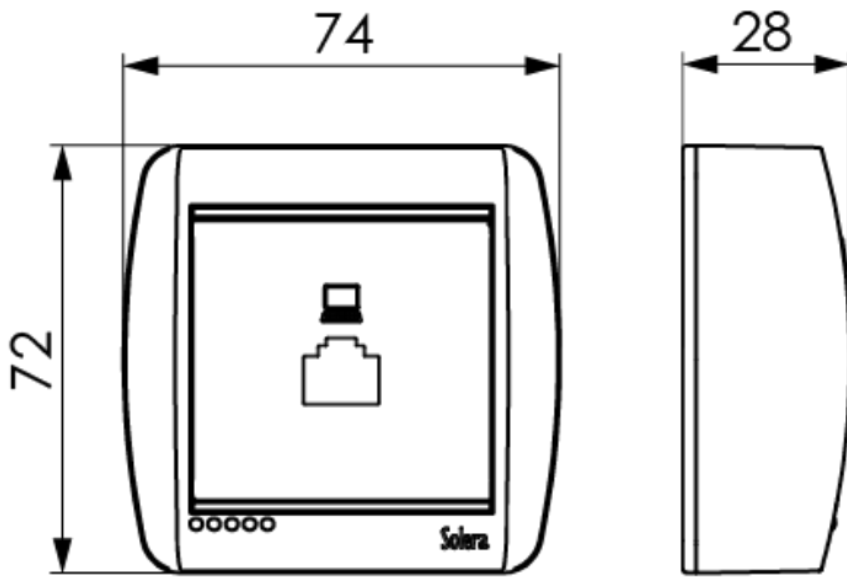
Unit weight (g)	46,2
-----------------	------

Container Weight (Kg)	0,594
-----------------------	-------

Packaging Weight (Kg)	7,728
-----------------------	-------

Tariff code	85366990
-------------	----------

## Sketch



## Documentation and downloads



Commercial doc. (3.58MB)



Surface switches Mural range (Solera)



Safety Information (0.38MB)



Assembly surface switches Mural range (Solera)