

## Double socket 2P+E (French). 16A 250V~. Surface.

Double socket 2P+E (French). 16A 250V~. Surface. Graphite colour. Dimensions 138 x 72 x 42 mm. Inputs for 10x16, 10x20 and 16x16 mm mini-trunking.



## Features

Common applications	Indoor domestic / tertiary environment (Interior of home, offices, shops, etc.)
Mechanism type	Double fixed base
Type of installation	Surface
Rated current	16A
Nominal voltage	250V~ (50/60 Hz)
Connection type	Screw connection
Mini trunking input	Yes
Dimensions	138 x 72 x 42
Monobloc (with frame included)	Yes
Frame color	Graphite

## Technical data

Fire resistance (GWEPT)	750/850 °C
Installation temperature	-5 °C -> +60 °C
Free of halogens	Yes

## Regulations

CE marking	Yes
CMim marking	Yes
According to Regulations	NF C61-314
According to Regulations UNE/EN	UNE-20315-1-1:2017; UNE-20315-1-2:2017
In accordance with the Low Voltage Electrotechnical Regulations (REBT)	Yes

In accordance with the Regulation (EU) 2023/988 of the European Parliament and of the Council on general product safety

Yes

## Sustainability

According to European Directive 2011/65/UE (RoHS)

Yes

According to European Directive 2012/19/UE (RAEE2)

Yes

According to Regulations (RoHS)

UNE-EN IEC 63000:2022

## Logistics and packaging

Unit EAN code

8423220263574

EAN code container

8423220263567

Units packaging

10

Units carton

120

Pallet Units

5760

Packaging Measurements cm

16x18x8

Packaging Measures cm

49,5x19x34

Unit weight (g)

65,2

Container Weight (Kg)

0,784

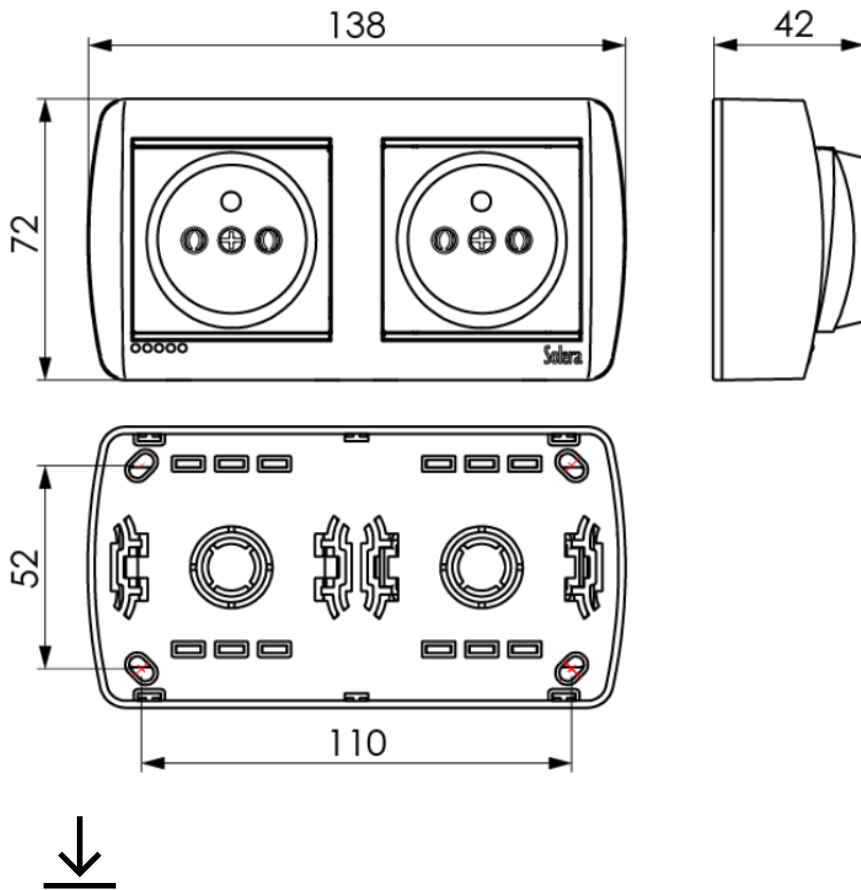
Packaging Weight (Kg)

10,008

Tariff code

85366990

## Sketch



## Documentation and downloads



Commercial doc. (3.58MB)



Surface switches Mural range (Solera)



Safety Information (0.38MB)



Assembly surface switches Mural range (Solera)