

## Double junction and derivation box. Surface.

Double junction and derivation box. Surface. Graphite colour. Dimensions 138 x 72 x 28 mm. Inputs for 10x16, 10x20 and 16x16 mm mini-trunking.



## Features

Common applications	Indoor domestic / tertiary environment (Interior of home, offices, shops, etc.)
Mechanism type	Double registration of splicing
Type of installation	Surface
Connection type	Screw connection
Mini trunking input	Yes
Dimensions	138 x 72 x 28
Monobloc (with frame included)	Yes
Frame color	Graphite

## Technical data

Fire resistance (GWEPT)	750/850 °C
Installation temperature	-5 °C -> +60 °C
Free of halogens	Yes

## Regulations

CE marking	Yes
UK marking	Yes
CMim marking	Yes
According to Regulations UNE/EN	UNE-EN 60670-22:2007
In accordance with the Low Voltage Electrotechnical Regulations (REBT)	Yes
According to European Directive 2014/35 / EU. Low voltage directive	Yes

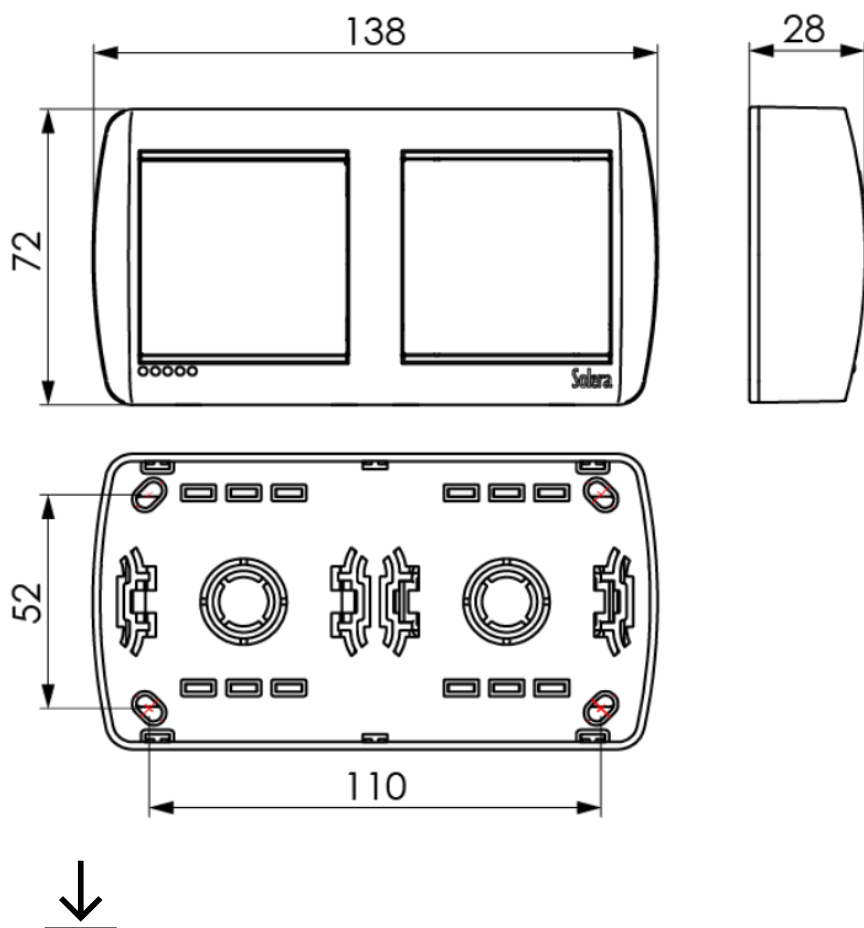
## Sustainability

According to European Directive 2011/65/UE (RoHS)	The Directive 2011/65/EU (RoHS II) is not applicable as it does not correspond to the definition of Electrical and Electronical Equipment (EEE) as per article 3.1
According to European Directive 2012/19/UE (RAEE2)	Not applicable because it does not meet the definition of Electrical and Electronic Equipment (EEE) as described in Article 3.1(a) of Directive 2012/19/EU (WEEE II).

## Logistics and packaging

Unit EAN code	8423220263475
EAN code container	8423220263468
Units packaging	10
Units carton	120
Pallet Units	4800
Packaging Measurements cm	22,5x16x8
Packaging Measures cm	49,5x23,5x34
Unit weight (g)	65,8
Container Weight (Kg)	0,806
Packaging Weight (Kg)	10,339
Tariff code	85366990

## Sketch



## Documentation and downloads



Commercial doc. (3.58MB)



Safety Information (0.38MB)



Surface switches Mural range (Solera)



Assembly surface switches Mural range (Solera)