

## Socket 2P+E (French), 16A 250V ~ + 2-way switch 10AX 250V~. Surface.

Socket 2P+E (French), 16A 250V ~ + 2-way switch 10AX 250V~. Surface.  
Graphite colour. Dimensions 138 x 72 x 42 mm. Inputs for 10x16, 10x20 and 16x16  
mm mini-trunking. Screw connection.



### Features

Common applications	Indoor domestic / tertiary environment (Interior of home, offices, shops, etc.)
Mechanism type	switch + fixed base
Type of installation	Surface
Nominal voltage	250V~ (50/60 Hz)
Connection type	Screw connection
Mini trunking input	Yes
Type of operation	Rocker key
Dimensions	138 x 72 x 42
Monobloc (with frame included)	Yes
Frame color	Graphite

### Technical data

Fire resistance (GWEPT)	750/850 °C
Installation temperature	-5 °C -> +60 °C
Free of halogens	Yes

### Regulations

CE marking	Yes
CMim marking	Yes
According to Regulations	NF C61-314

According to Regulations UNE/EN	UNE-EN 60669-1:2018 UNE 20315-1-1:2017 UNE-20315-1-2:2017
In accordance with the Low Voltage Electrotechnical Regulations (REBT)	Yes
According to European Directive 2014/35 / EU. Low voltage directive	Yes

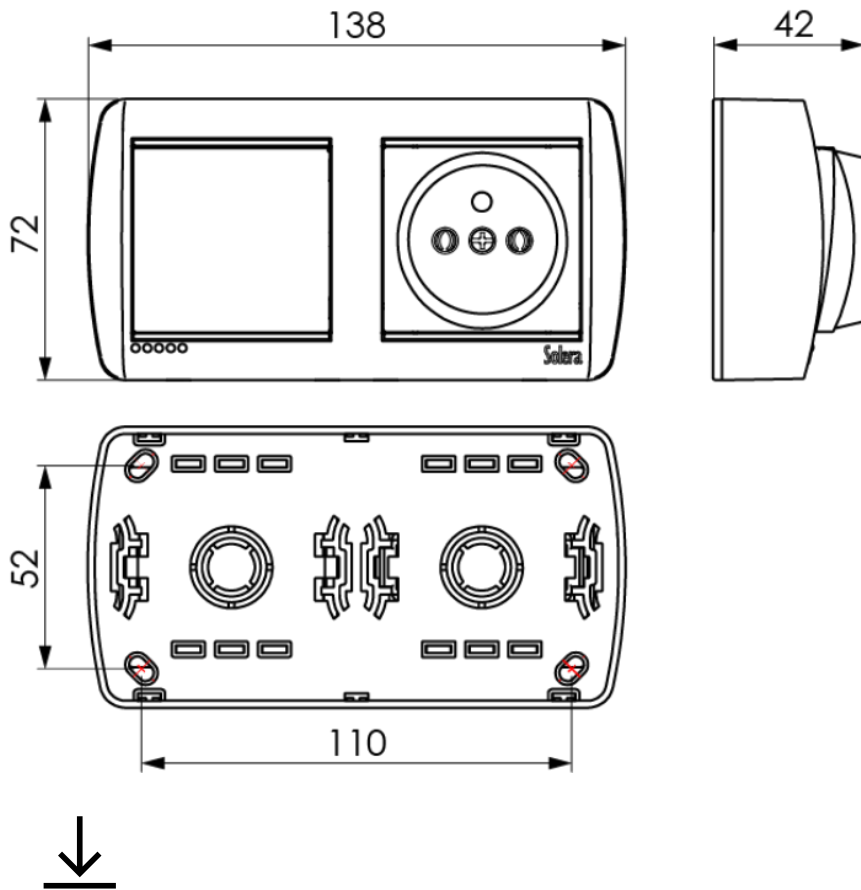
## Sustainability

According to European Directive 2011/65/UE (RoHS)	Yes
According to European Directive 2012/19/UE (RAEE2)	Yes
According to Regulations (RoHS)	UNE-EN IEC 63000:2022

## Logistics and packaging

Unit EAN code	8423220263628
EAN code container	8423220263611
Units packaging	10
Units carton	120
Pallet Units	5760
Packaging Measurements cm	16x18x8
Packaging Measures cm	49,5x19x34
Unit weight (g)	65,2
Container Weight (Kg)	0,784
Packaging Weight (Kg)	10,008
Tariff code	85366990

## Sketch



## Documentation and downloads



Commercial doc. (3.58MB)



Surface switches Mural range (Solera)



Safety Information (0.38MB)



Assembly surface switches Mural range (Solera)