

Socket 2P, 16A 250V~. Surface.

Socket 2P, 16A 250V~. Surface. Graphite colour. Inputs for 10x16, 10x20 and 16x16 mm mini-trunking.



Features

Common applications	Indoor domestic / tertiary environment (Interior of home, offices, shops, etc.)
Mechanism type	Fixed base
Type of installation	Surface
Rated current	16A
Nominal voltage	250V~ (50/60 Hz)
Connection type	Screw connection
Mini trunking input	Yes
Dimensions	74 x 72 x 28
Monobloc (with frame included)	Yes
Frame color	Graphite

Technical data

Fire resistance (GWEPT)	750/850 °C
Installation temperature	-5 °C -> +60 °C
Free of halogens	Yes

Regulations

CE marking	Yes
CMim marking	Yes

According to Regulations UNE/EN	UNE 20315-1-1:2017 UNE 20315-1-2:2017
In accordance with the Low Voltage Electrotechnical Regulations (REBT)	Yes
In accordance with the Regulation (EU) 2023/988 of the European Parliament and of the Council on general product safety	Yes

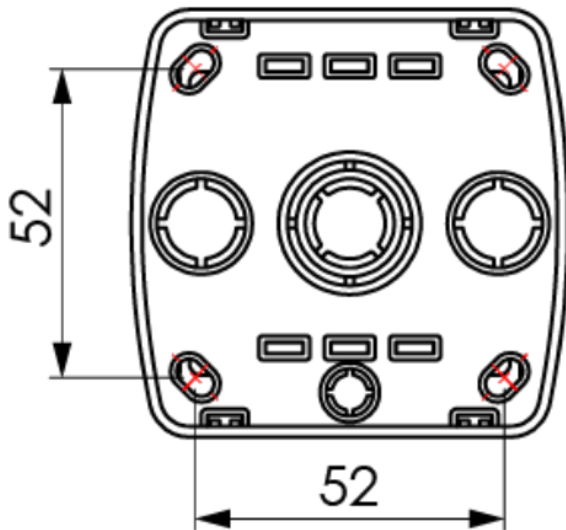
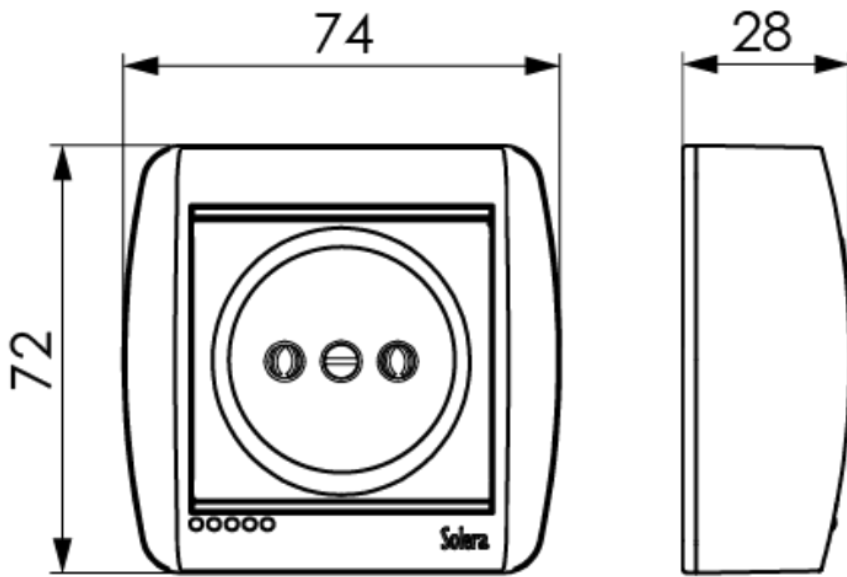
Sustainability

According to European Directive 2011/65/UE (RoHS)	Yes
According to European Directive 2012/19/UE (RAEE2)	Yes
According to Regulations (RoHS)	UNE-EN IEC 63000:2022

Logistics and packaging

Unit EAN code	8423220263291
EAN code container	8423220263284
Units packaging	10
Units carton	120
Pallet Units	5760
Packaging Measurements cm	16x18x8
Packaging Measures cm	49,5x19x34
Unit weight (g)	65,2
Container Weight (Kg)	0,784
Packaging Weight (Kg)	10,008
Tariff code	85366990

Sketch



Documentation and downloads



Commercial doc. (3.58MB)



Surface switches Mural range (Solera)



Safety Information (0.38MB)



Assembly surface switches Mural range (Solera)