

2-pole switch 10AX 250V ~. Monobloc. Flush.

2-pole switch 10AX 250V ~. Monobloc. Flush. White colour. Dimensions 83 x 81 mm. Screw connection.



Features

Common applications	Indoor domestic / tertiary environment (Interior of home, offices, shops, etc.)
Mechanism type	Bipolar switch
Type of installation	Flush
Rated current	10AX
Nominal voltage	250V~ (50/60 Hz)
Connection type	Screw connection
Type of operation	Rocker key
Dimensions	83 x 81
With fixing claws	Yes
Monobloc (with frame included)	Yes
Frame color	White

Technical data

Fire resistance (GWEPT)	850 °C
Heat resistance (Ball pressure)	70/125 °C
Free of halogens	Yes

Regulations

CE marking	Yes
------------	-----

UK marking	Yes
CMim marking	Yes
According to Regulations UNE/EN	UNE-EN 60669-1:2018
In accordance with the Low Voltage Electrotechnical Regulations (REBT)	Yes
According to European Directive 2014/35 / EU. Low voltage directive	Yes

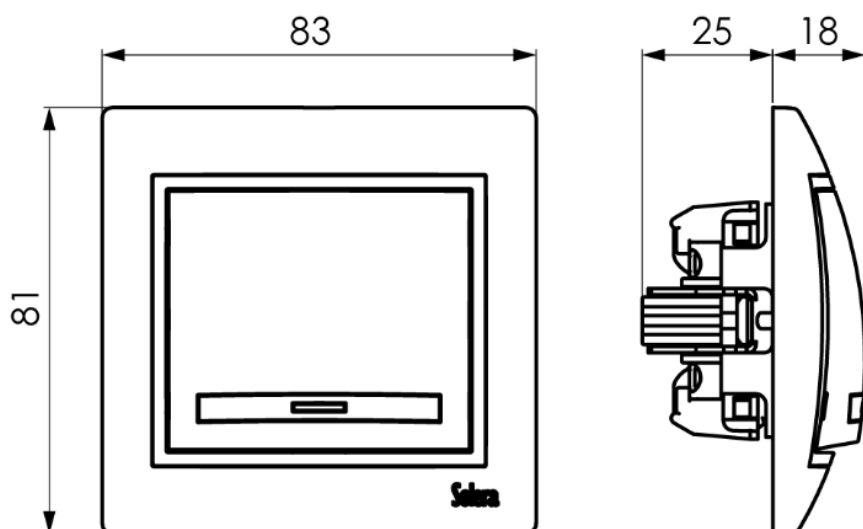
Sustainability

According to European Directive 2011/65/UE (RoHS)	Yes
According to European Directive 2012/19/UE (RAEE2)	Yes
According to Regulations (RoHS)	UNE-EN IEC 63000:2022




Logistics and packaging

Unit EAN code	8423220085237
EAN code container	8423220085404
EAN code packaging	18423220085401
Units packaging	10
Units carton	120
Pallet Units	4320
Packaging Measurements cm	26x14x10
Packaging Measures cm	44x27,5x40
Unit weight (g)	102
Container Weight (Kg)	1,1704
Packaging Weight (Kg)	14,7628
Tariff code	85366990

Sketch



Documentation and downloads

-  [Safety Information \(0.38MB\)](#)
-  [Flush switches of Europa range \(Solera\)](#)
-  [Assembly flush switches form Europa range \(Solera\)](#)