

Push button 10A 250V~. Monobloc. Flush.

Push button 10A 250V~. Monobloc. Flush. White colour. Dimensions 83 x 81 mm. Screw connection.



Features

| | |
|--------------------------------|---|
| Common applications | Indoor domestic / tertiary environment (Interior of home, offices, shops, etc.) |
| Mechanism type | Bell push button |
| Type of installation | Flush |
| Rated current | 10AX |
| Nominal voltage | 250V~ (50/60 Hz) |
| Connection type | Screw connection |
| Type of operation | Rocker key |
| Dimensions | 83 x 81 |
| With fixing claws | Yes |
| Monobloc (with frame included) | Yes |
| Frame color | White |

Technical data

| | |
|---------------------------------|-----------|
| Fire resistance (GWEPT) | 850 °C |
| Heat resistance (Ball pressure) | 70/125 °C |
| Free of halogens | Yes |

Regulations

| | |
|------------|-----|
| CE marking | Yes |
|------------|-----|

| | |
|--|---------------------|
| UK marking | Yes |
| CMim marking | Yes |
| According to Regulations UNE/EN | UNE-EN 60669-1:2018 |
| In accordance with the Low Voltage Electrotechnical Regulations (REBT) | Yes |
| TÜV Rheinland certificate | Yes |
| According to European Directive 2014/35 / EU. Low voltage directive | Yes |

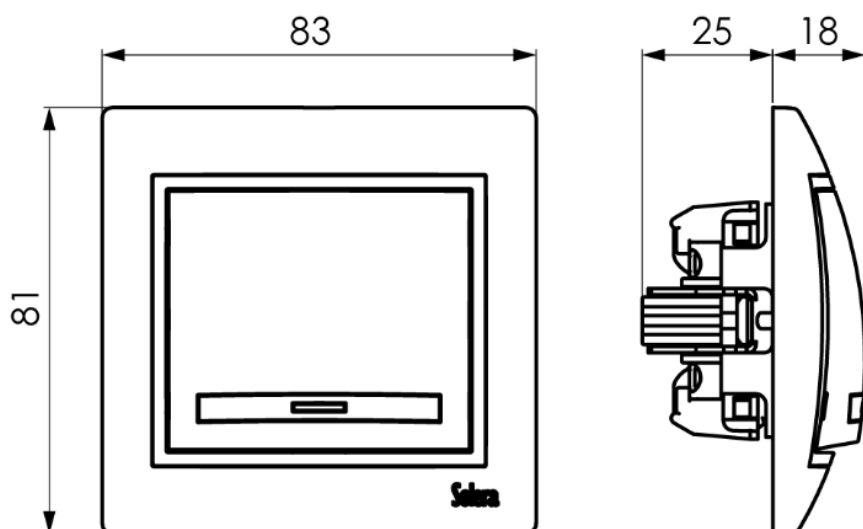
Sustainability

| | |
|--|-----------------------|
| According to European Directive 2011/65/UE (RoHS) | Yes |
| According to European Directive 2012/19/UE (RAEE2) | Yes |
| According to Regulations (RoHS) | UNE-EN IEC 63000:2022 |




Logistics and packaging

| | |
|---------------------------|----------------|
| Unit EAN code | 8423220076549 |
| EAN code container | 8423220076907 |
| EAN code packaging | 18423220076904 |
| Units packaging | 10 |
| Units carton | 120 |
| Pallet Units | 4320 |
| Packaging Measurements cm | 26x14x10 |
| Packaging Measures cm | 44x27,5x40 |
| Unit weight (g) | 89 |
| Container Weight (Kg) | 1,0404 |
| Packaging Weight (Kg) | 13,2028 |
| Tariff code | 85366990 |

Sketch



Documentation and downloads

-  [Safety Information \(0.38MB\)](#)
-  [Flush switches of Europa range \(Solera\)](#)
-  [Assembly flush switches form Europa range \(Solera\)](#)