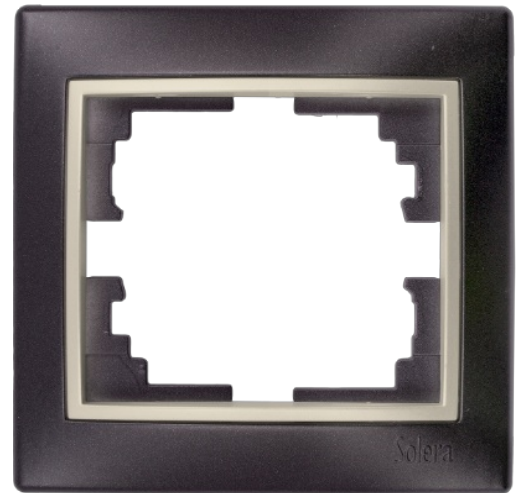


Frame for 1 mechanism. Black frame and pearl ring.

Frame for 1 mechanism. Black frame and pearl ring. Dimensions 83 x 81 x 10 mm.



Features

Common applications	Indoor domestic / tertiary environment (Interior of home, offices, shops, etc.)
Mechanism type	Frame
Type of installation	Flush
Dimensions	83 x 81 x 10
Frame color	Black + Pearl
Position	Vertical/Horizontal
No. of elements	For 1 Element

Technical data

Fire resistance (GWEPT)	850 °C
Heat resistance (Ball pressure)	125 °C
Free of halogens	Yes

Regulations

CE marking	Yes
UK marking	Yes
CMim marking	Yes
According to Regulations UNE/EN	UNE-EN 60670-22:2007
In accordance with the Low Voltage Electrotechnical Regulations (REBT)	Yes

According to European Directive 2014/35 / Yes
EU. Low voltage directive

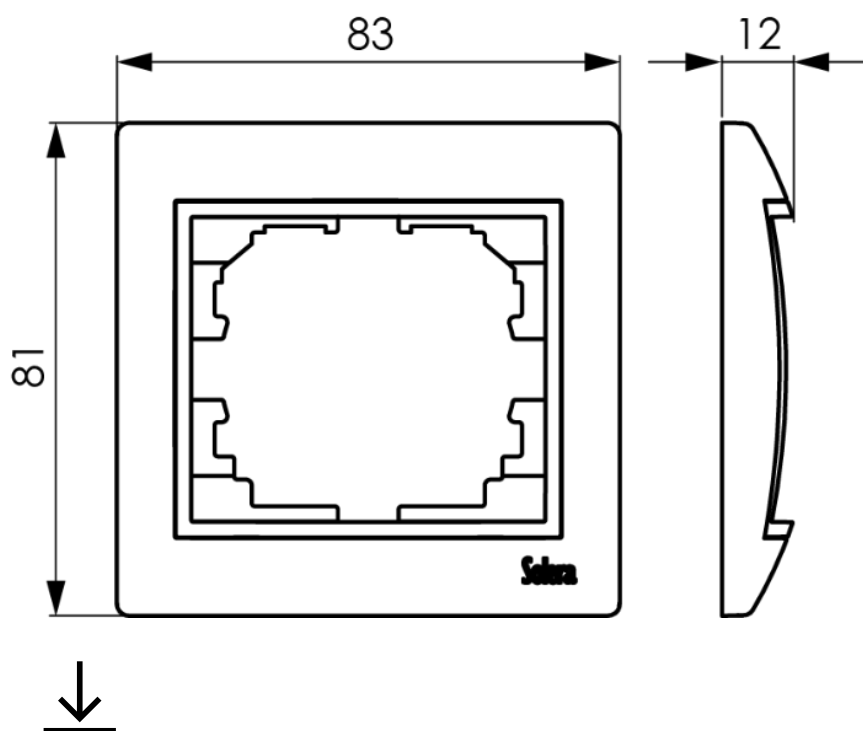
Sustainability

According to European Directive 2011/65/UE (RoHS)	The Directive 2011/65/EU (RoHS II) is not applicable as it does not correspond to the definition of Electrical and Electronical Equipment (EEE) as per article 3.1
According to European Directive 2012/19/UE (RAEE2)	Not applicable because it does not meet the definition of Electrical and Electronic Equipment (EEE) as described in Article 3.1(a) of Directive 2012/19/EU (WEEE II).

Logistics and packaging

Unit EAN code	8423220076860
EAN code container	8423220077225
EAN code packaging	18423220077222
Units packaging	20
Units carton	240
Pallet Units	10800
Packaging Measurements cm	17x12x10
Packaging Measures cm	38x18,5x42
Unit weight (g)	18,2
Container Weight (Kg)	0,4872
Packaging Weight (Kg)	6,3884
Tariff code	85366990

Sketch



Documentation and downloads



Safety Information (0.38MB)



Assembly flush switches form Europa range (Solera)