

Lighted push button 10A 250V~. Flush.

Lighted push button 10A 250V~. Flush. White colour. Without frame. Quick connection.



Features

| | |
|------------------------|---|
| Common applications | Indoor domestic / tertiary environment (Interior of home, offices, shops, etc.) |
| Mechanism type | Lighted push button |
| Type of installation | Flush |
| Pilot light | Yes |
| Rated current | 10A |
| Nominal voltage | 250V~ (50/60 Hz) |
| Connection type | Fast connection |
| Flexible cable section | Up to 2.5 mm ² |
| Rigid cable section | Up to 2.5 mm ² |
| Type of operation | Rocker key |
| With fixing claws | Yes |

Technical data

| | |
|---------------------------------|-----------|
| Fire resistance (GWEPT) | 850 °C |
| Heat resistance (Ball pressure) | 70/125 °C |
| Free of halogens | Yes |

Regulations

| | |
|------------|-----|
| CE marking | Yes |
| UK marking | Yes |

| | |
|--|---------------------|
| CMim marking | Yes |
| According to Regulations UNE/EN | UNE-EN 60669-1:2018 |
| In accordance with the Low Voltage Electrotechnical Regulations (REBT) | Yes |
| TÜV Rheinland certificate | Yes |
| According to European Directive 2014/35 / EU. Low voltage directive | Yes |

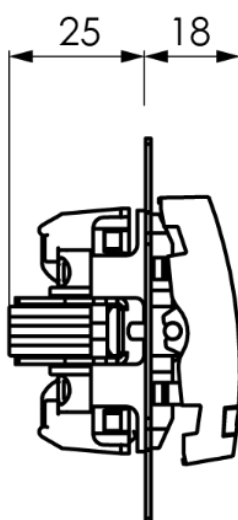
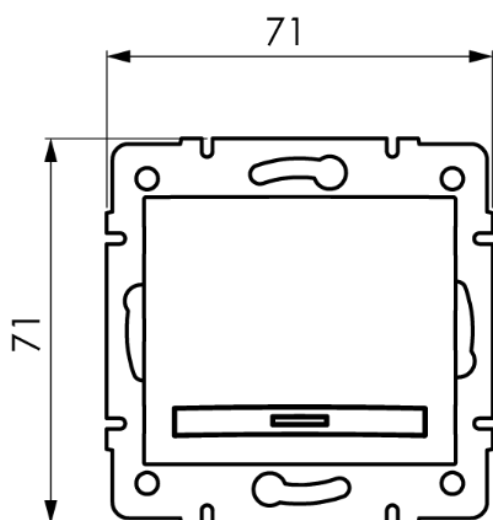
Sustainability

| | |
|--|-----------------------|
| According to European Directive 2011/65/UE (RoHS) | Yes |
| According to European Directive 2012/19/UE (RAEE2) | Yes |
| According to Regulations (RoHS) | UNE-EN IEC 63000:2022 |

Logistics and packaging

| | |
|---------------------------|----------------|
| Unit EAN code | 8423220094345 |
| EAN code container | 8423220081000 |
| EAN code packaging | 18423220081007 |
| Units packaging | 10 |
| Units carton | 120 |
| Pallet Units | 4320 |
| Packaging Measurements cm | 25,2x14x8 |
| Packaging Measures cm | 44,5x26,8x32,2 |
| Unit weight (g) | 72,2 |
| Container Weight (Kg) | 0,8616 |
| Packaging Weight (Kg) | 10,9522 |
| Tariff code | 85366990 |

Sketch



Documentation and downloads



Commercial doc. (3.28MB)



Safety Information (0.38MB)



Flush switches of Eruopa range (Solera)



Assembly flush switches form Europa range (Solera)