

Sealed connection Ybox 153 x 110 x 65 mm with cones. Black colour. Mark N (Aenor)

Sealed connection Ybox 153 x 110 x 65 mm with cones. Black colour. IP55. IK08. 1/4 turn closure screw. With 8 cones for tube Ø 25 mm and 2 cones for tube Ø 32 mm.



Features

Installation method	Surface
Use	Domestic / Tertiary
Location type	Exterior and interior
Dimensions outside (mm) (width x height x depth)	160x120x71
Dimensions inside (mm) (Width x Height x Depth)	153x110x65
Case material	Insulation
Case color	Black
Cap color	Black
Ticket type	With cones
No. of inlets and size (mm)	8xØ25, 2xØ32
Fixation System (For surface)	Outside with bracket, inside with plug, with flange, bracket for grating, outside to the gasket
Sealable	Yes
Lid closure system	1/4 turn screw without spring
Possibility of mounting strips	Yes (not included)
Possibility of mounting DIN rail	Yes (not included)
Captive screw	Yes
Drain type	Deflowable Drainage
Captive Lid	Yes
Valid for photovoltaic installations	Yes

Common applications

Industrial environments (factories, warehouses, etc.)

Technical data

Protection Degree (IK)	IK08
Impact shock resistance	Strong
Insulation class	Class II
Fire resistance (GWEPT)	650 °C
Heat resistance (Ball pressure)	70 °C
Ambient operating temperature	-5 °C ; +60 °C
Work stress	<1000 Vac ; 1500 Vdc
UV resistance	Yes
Free of halogens	Yes

Regulations

CE marking	Yes
UK marking	Yes
CMim marking	Yes
According to Regulations UNE/EN	UNE-EN 60670-1:2022 UNE EN 60670-22:2007
In accordance with the Low Voltage Electrotechnical Regulations (REBT)	Yes
AENOR certificate	Yes
CB certificate	Yes
According to European Directive 2014/35 / EU. Low voltage directive	Yes

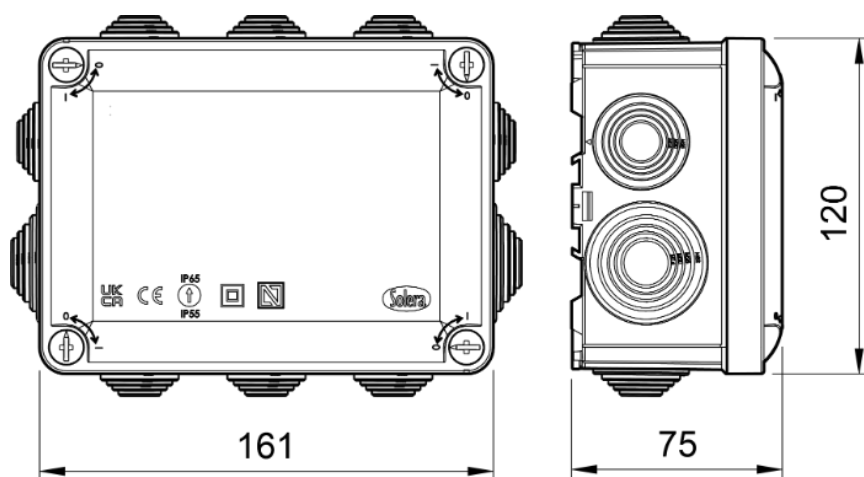
Sustainability

According to European Directive 2011/65/EU (RoHS)	The Directive 2011/65/EU (RoHS II) is not applicable as it does not correspond to the definition of Electrical and Electronic Equipment (EEE) as per article 3.1
According to European Directive 2012/19/EU (RAEE2)	Not applicable because it does not meet the definition of Electrical and Electronic Equipment (EEE) as described in Article 3.1(a) of Directive 2012/19/EU (WEEE II).

Logistics and packaging

Unit EAN code	8423220239562
EAN code container	8423220220560
EAN code packaging	18423220220567
Units packaging	4
Units carton	64
Pallet Units	960
Packaging Measures cm	59,8x37,5x59
Unit weight (g)	274,4
Container Weight (Kg)	1,1076
Packaging Weight (Kg)	18,8216
Tariff code	85381000

Sketch



Documentation and downloads



Assembly instructions (1.33MB)



Safety Information (0.38MB)