

Mounted sealed box 165 x 135 x 70 mm with 2 Schuko sockets 2P+T, 16A, 250V~ + 1 CE socket 3P+T 16A 400V~

Mounted sealed box 165 x 135 x 70 mm with 2 Schuko sockets 2P+T, 16A, 250V~ + 1 CE socket 3P+T 16A 400V~



Features

Installation method	Surface
Use	Domestic / Tertiary
Location type	Exterior and interior
Dimensions outside (mm) (width x height x depth)	165x145x84
Dimensions inside (mm) (Width x Height x Depth)	160x135x70
Case material	Insulation
Case color	Grey (RAL7035)
Cap color	Grey (RAL 7035)
Ticket type	Smooth sides (machining inlets)
Fixation System (For surface)	Exterior
Sealable	Yes
Lid closure system	1/4 turn screw with spring
Possibility of mounting strips	Yes (not included)
Captive screw	Yes
Captive Lid	Yes
Valid for photovoltaic installations	Yes
Common applications	Industrial environments (factories, warehouses, etc.)

Technical data

Protection Degree (IK)	IK08
Impact shock resistance	Strong
Insulation class	Class II
Fire resistance (GWEPT)	650 °C
Heat resistance (Ball pressure)	70 °C
Ambient operating temperature	-5 °C ; +60 °C
Work stress	<1000 Vac ; 1500 Vdc
UV resistance	Yes
Free of halogens	Yes

Regulations

CE marking	Yes
UK marking	Yes
CMim marking	Yes
According to Regulations UNE/EN	UNE-EN 60670-1:2022 UNE- EN 60670-22:2007
In accordance with the Low Voltage Electrotechnical Regulations (REBT)	Yes
According to European Directive 2014/35 / EU. Low voltage directive	Yes

Sustainability

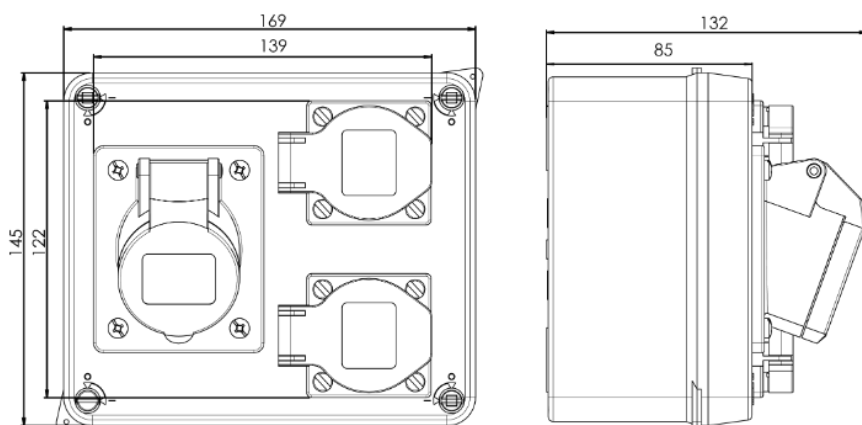
According to European Directive 2011/65/UE (RoHS)	The box does not correspond to the definition of Electrical and Electronical Equipment (EEE), but the included devices are affected individually.
According to European Directive 2012/19/UE (RAEE2)	The box does not correspond to the definition of Electrical and Electronical Equipment (EEE), but the included devices are affected individually.

Logistics and packaging

Unit EAN code	8423220078406
EAN code container	8423220078406
EAN code packaging	18423220078403
Units packaging	1
Units carton	58

Pallet Units	870
Packaging Measures cm	59,5x39,5x59,5
Unit weight (g)	650
Container Weight (Kg)	0,65
Packaging Weight (Kg)	38,648
Tariff code	85381000

Sketch



Documentation and downloads

-  Safety Information (0.38MB)
-  Junction boxes IP65/55, IK07-08-09 (Solera)
-  Mounting junction boxes (Solera)