

Sealed connection box 220 x 170 x 80 mm with cones. Black colour.

Sealed connection box 220 x 170 x 80 mm with cones. Black colour. IP55. IK08. 1/4 turn closure screw. Sealable. With 12 cones for tube Ø 32 mm and 2 cones for tube Ø 40 mm.



Features

Installation method	Surface
Use	Domestic / Tertiary
Location type	Exterior and interior
Dimensions outside (mm) (width x height x depth)	230x180x88
Dimensions inside (mm) (Width x Height x Depth)	220x170x80
Case material	Insulation
Case color	Black
Cap color	Black
Ticket type	With cones
No. of inlets and size (mm)	12xØ32, 2xØ40
Fixation System (For surface)	Exterior
Sealable	Yes
Lid closure system	1/4 turn screw with spring
Possibility of mounting strips	Yes (not included)
Possibility of mounting plate	Yes (not included)
Possibility of mounting DIN rail	Yes (not included)
Captive screw	Yes
Captive Lid	Yes
Valid for photovoltaic installations	Yes
Common applications	Industrial environments (factories, warehouses, etc.)

Technical data

Protection Degree (IK)	IK08
Impact shock resistance	Strong
Insulation class	Class II
Fire resistance (GWEPT)	650 °C
Heat resistance (Ball pressure)	70 °C
Ambient operating temperature	-5 °C ; +60 °C
Work stress	<1000 Vac ; 1500 Vdc
UV resistance	Yes
Free of halogens	Yes

Regulations

CE marking	Yes
UK marking	Yes
CMim marking	Yes
According to Regulations UNE/EN	UNE-EN 60670-1:2022 UNE- EN 60670-22:2007
In accordance with the Low Voltage Electrotechnical Regulations (REBT)	Yes
APPlus certificate	Yes
According to European Directive 2014/35 / EU. Low voltage directive	Yes

Sustainability

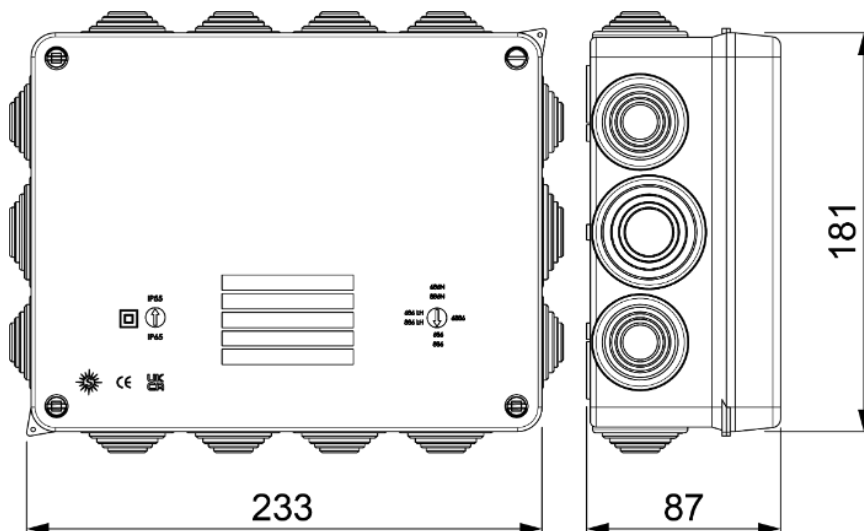
According to European Directive 2011/65/EU (RoHS)	The Directive 2011/65/EU (RoHS II) is not applicable as it does not correspond to the definition of Electrical and Electronical Equipment (EEE) as per article 3.1
According to European Directive 2012/19/EU (RAEE2)	Not applicable because it does not meet the definition of Electrical and Electronic Equipment (EEE) as described in Article 3.1(a) of Directive 2012/19/EU (WEEE II).

Logistics and packaging

Unit EAN code	8423220004764
EAN code container	8423220004764

EAN code packaging	18423220004761
Units packaging	1
Units carton	30
Pallet Units	450
Packaging Measures cm	59,5x39,5x59,5
Unit weight (g)	516
Container Weight (Kg)	0,526
Packaging Weight (Kg)	16,91
Tariff code	85381000

Sketch



Documentation and downloads

-  Assembly instructions (1.11MB)
-  Safety Information (0.38MB)
-  Mounting junction boxes (Solera)
-  Commercial doc. (2.73MB)
-  Junction boxes IP65/55, IK07-08-09 (Solera)