

## Sealed connection box Ø 70 x 35 mm with cones. Grey colour.

Sealed connection box Ø 70 x 35 mm with cones. Grey colour. IP55. IK07. Snap cover. With 4 cones for tube Ø 20 mm.



### Features

Installation method	Surface
Use	Domestic / Tertiary
Location type	Exterior and interior
Dimensions outside (mm) (width x height x depth)	Ø 77x40
Dimensions inside (mm) (Width x Height x Depth)	Ø 70x35
Case material	Insulation
Case color	Grey (RAL7035)
Cap color	Grey (RAL 7035)
Ticket type	With cones
No. of inlets and size (mm)	4x Ø20
Fixation System (For surface)	Exterior
Lid closure system	A Pressure
Possibility of mounting strips	Yes (not included)
Valid for photovoltaic installations	Yes
Common applications	Industrial environments (factories, warehouses, etc.)

### Technical data

Protection Degree (IK)	IK07
Impact shock resistance	Strong

Insulation class	Class II
Fire resistance (GWEPT)	650 °C
Heat resistance (Ball pressure)	70 °C
Ambient operating temperature	-5 °C ; +60 °C
Work stress	<1000 Vac ; 1500 Vdc
UV resistance	Yes
Free of halogens	Yes

## Regulations

CE marking	Yes
UK marking	Yes
CMim marking	Yes
According to Regulations UNE/EN	UNE-EN 60670-1:2022 UNE- EN 60670-22:2007
In accordance with the Low Voltage Electrotechnical Regulations (REBT)	Yes
According to European Directive 2014/35 / EU. Low voltage directive	Yes

## Sustainability

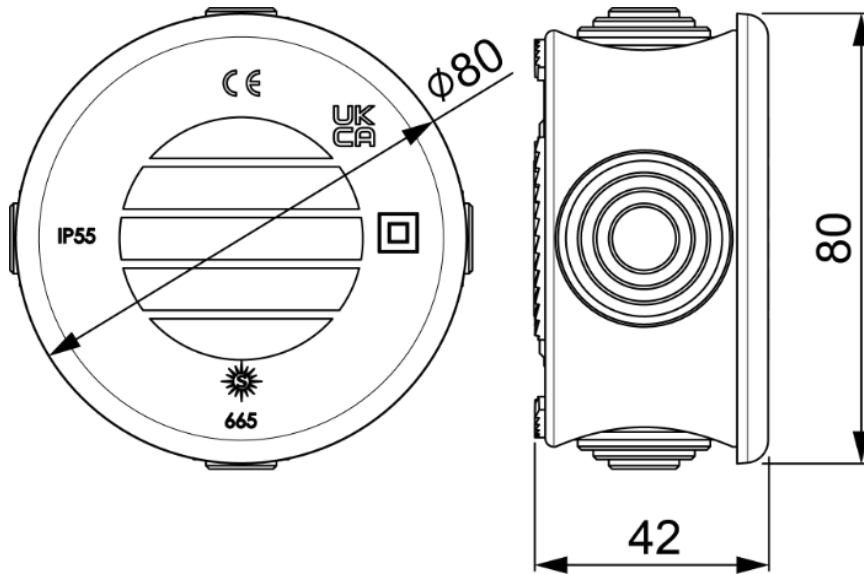
According to European Directive 2011/65/UE (RoHS)	The Directive 2011/65/EU (RoHS II) is not applicable as it does not correspond to the definition of Electrical and Electronical Equipment (EEE) as per article 3.1
According to European Directive 2012/19/UE (RAEE2)	Not applicable because it does not meet the definition of Electrical and Electronic Equipment (EEE) as described in Article 3.1(a) of Directive 2012/19/EU (WEEE II).

## Logistics and packaging

Unit EAN code	8423220237131
EAN code container	8423220036062
EAN code packaging	18423220036069
Units packaging	8
Units carton	320
Pallet Units	4800
Packaging Measures cm	57,8x38,5x46

Unit weight (g)	45,7
Container Weight (Kg)	0,3656
Packaging Weight (Kg)	15,411
Tariff code	85381000

## Sketch



## Documentation and downloads

-  Assembly instructions (1.11MB)
-  Safety Information (0.38MB)
-  Mounting junction boxes (Solera)
-  Commercial doc. (2.73MB)
-  Junction boxes IP65/55, IK07-08-09 (Solera)