

Sealed connection box 110 x 110 x 50 mm with cones. Grey colour.

Sealed connection box 110 x 110 x 50 mm with cones. Grey colour. IP55. IK07.
Cover pressure closing. With 7 cones for Ø 25 mm tube.



Features

Installation method	Surface
Use	Domestic / Tertiary
Location type	Exterior and interior
Dimensions outside (mm) (width x height x depth)	110x110x50
Dimensions inside (mm) (Width x Height x Depth)	100x100x45
Dimensions (mm)	See sketch
Case material	Insulation
Case color	Grey (RAL7035)
Cap color	Grey (RAL 7035)
Ticket type	With cones
No. of inlets and size (mm)	7xØ25
Fixation System (For surface)	Exterior
Sealable	Not
Lid closure system	A Pressure
Possibility of mounting strips	Yes (not included)
Valid for photovoltaic installations	Yes
Common applications	Industrial environments (factories, warehouses, etc.)
Additional dimensions (mm)	See sketch

Technical data

Protection Degree (IK)	IK07
Impact shock resistance	Strong
Insulation class	Class II
Fire resistance (GWEPT)	650 °C
Heat resistance (Ball pressure)	70 °C
Ambient operating temperature	-5 °C ; +60 °C
Work stress	<1000 Vac ; 1500 Vdc
UV resistance	Yes
Free of halogens	Yes

Regulations

CE marking	Yes
UK marking	Yes
CMim marking	Yes
According to Regulations UNE/EN	UNE-EN 60670-1:2022 UNE- EN 60670-22:2007
In accordance with the Low Voltage Electrotechnical Regulations (REBT)	Yes
According to European Directive 2014/35 / EU. Low voltage directive	Yes

Sustainability

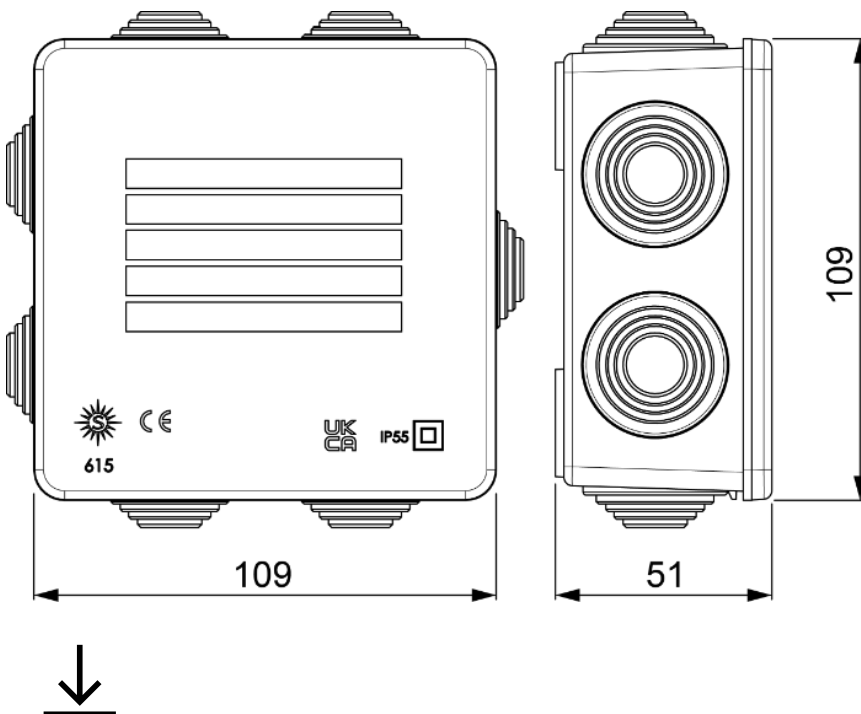
According to European Directive 2011/65/UE (RoHS)	The Directive 2011/65/EU (RoHS II) is not applicable as it does not correspond to the definition of Electrical and Electronical Equipment (EEE) as per article 3.1
According to European Directive 2012/19/UE (RAEE2)	Not applicable because it does not meet the definition of Electrical and Electronic Equipment (EEE) as described in Article 3.1(a) of Directive 2012/19/EU (WEEE II).

Logistics and packaging

Unit EAN code	8423220236875
EAN code container	8423220006157
EAN code packaging	18423220006154

Units packaging	5
Units carton	175
Pallet Units	2625
Packaging Measures cm	59,5x39,5x59,5
Unit weight (g)	123,8
Container Weight (Kg)	0,621
Packaging Weight (Kg)	22,683
Tariff code	85381000

Sketch



Documentation and downloads

- 
[Assembly instructions \(1.11MB\)](#)
- 
[Commercial doc. \(2.73MB\)](#)
- 
[Safety Information \(0.38MB\)](#)
- 
[Junction boxes IP65/55, IK07-08-09 \(Solera\)](#)
- 
[Mounting junction boxes \(Solera\)](#)