

## Sealed connection box Ø 70 x 35 mm with cones. Grey colour

Sealed connection box Ø 70 x 35 mm with cones. Grey colour. IP55. IK07. Snap cover. With 4 cones for tube Ø 20 mm. With 4 holes for M20 cable glands.



### Features

|  |   |
|--|---|
| Installation method                              | Surface   |
| Use  | Domestic / Tertiary                                   |
| Location type                                    | Exterior and interior                                 |
| Dimensions outside (mm) (width x height x depth) | Ø 77x40   |
| Dimensions inside (mm) (Width x Height x Depth)  | Ø 70x35   |
| Case material                                    | Insulation  |
| Case color                                       | Grey (RAL7035)  |
| Cap color  | Grey (RAL 7035)                                       |
| Ticket type                                      | With cones  |
| No. of inlets and size (mm)                      | 4x Ø20  |
| Fixation System (For surface)                    | Exterior  |
| Lid closure system                               | A Pressure  |
| Possibility of mounting strips                   | Yes (not included)                                    |
| Valid for photovoltaic installations             | Yes   |
| Common applications                              | Industrial environments (factories, warehouses, etc.) |

### Technical data

|                         |        |
|-------------------------|--------|
| Protection Degree (IK)  | IK07   |
| Impact shock resistance | Strong |

|                                 |                      |
|---------------------------------|----------------------|
| Insulation class                | Class II             |
| Fire resistance (GWEPT)         | 650 °C               |
| Heat resistance (Ball pressure) | 70 °C                |
| Ambient operating temperature   | -5 °C ; +60 °C       |
| Work stress                     | <1000 Vac ; 1500 Vdc |
| UV resistance                   | Yes                  |
| Free of halogens                | Yes                  |

## Regulations

|  |  |
|--|--|
| CE marking   | Yes  |
| UK marking   | Yes  |
| CMim marking   | Yes  |
| According to Regulations UNE/EN  | UNE-EN 60670-1:2022<br>UNE- EN 60670-22:2007 |
| In accordance with the Low Voltage Electrotechnical Regulations (REBT) | Yes  |
| According to European Directive 2014/35 / EU. Low voltage directive    | Yes  |

## Sustainability

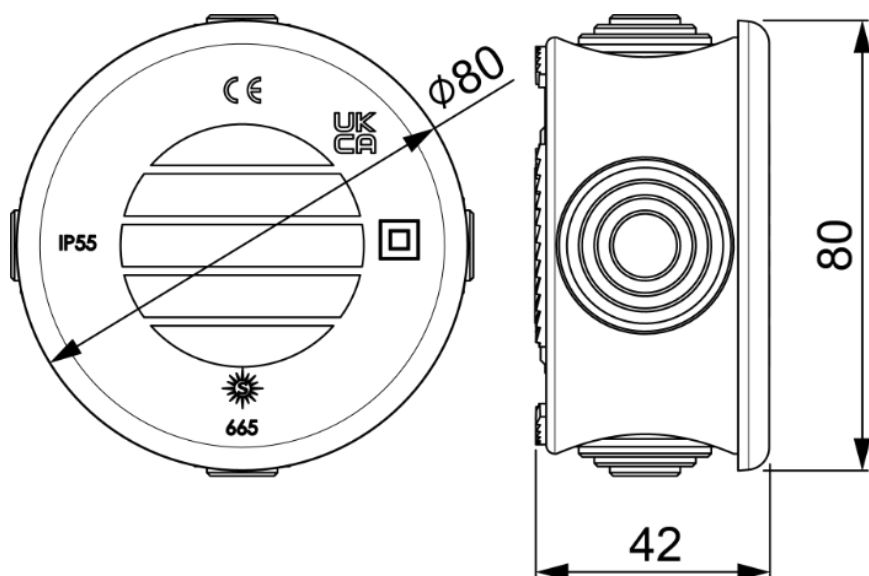
|  |   |
|--|---|
| According to European Directive 2011/65/UE (RoHS)  | The Directive 2011/65/EU (RoHS II) is not applicable as it does not correspond to the definition of Electrical and Electronical Equipment (EEE) as per article 3.1    |
| According to European Directive 2012/19/UE (RAEE2) | Not applicable because it does not meet the definition of Electrical and Electronic Equipment (EEE) as described in Article 3.1(a) of Directive 2012/19/EU (WEEE II). |

## Logistics and packaging

|                       |                |
|-----------------------|----------------|
| Unit EAN code         | 8423220240018  |
| EAN code container    | 8423220059184  |
| EAN code packaging    | 18423220059181 |
| Units packaging       | 8              |
| Units carton          | 320            |
| Pallet Units          | 4800           |
| Packaging Measures cm | 57,8x38,5x46   |

|                       |          |
|-----------------------|----------|
| Unit weight (g)       | 65       |
| Container Weight (Kg) | 0,529    |
| Packaging Weight (Kg) | 22,13    |
| Tariff code           | 85381000 |

## Sketch



## Documentation and downloads

- Assembly instructions (1.11MB)
- Safety Information (0.38MB)
- Mounting junction boxes (Solera)
- Commercial doc. (2.73MB)
- Junction boxes IP65/55, IK07-08-09 (Solera)