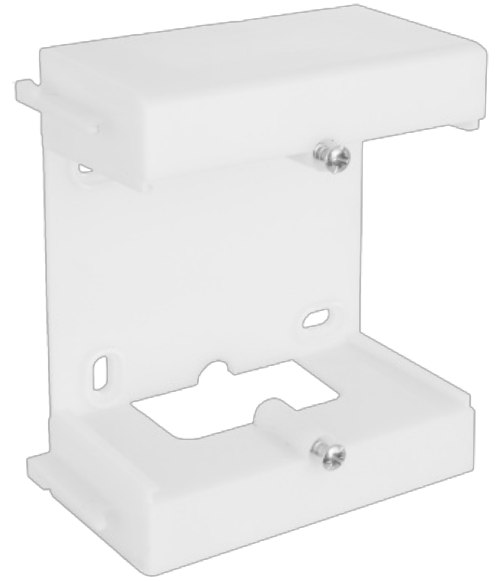


**Accessory to make extensions of box Ref. 9. White colour.**

Accessory to make extensions of box Ref. 9. White colour. External dimensions for 2 modules: 167 x 94 x 43 mm, and for 3 modules: 238 x 94 x 43 mm.



**Features**

Installation method	Surface
Use	Domestic / Tertiary
Location type	Inside
No. Modules (18 mm)	1
Case material	Insulation
Case color	White
Fixation System (For surface)	Inside
Linkable	Horizontally
Common applications	Indoor domestic / tertiary environment (Interior of home, offices, shops, etc.)

**Technical data**

Insulation class	Class II
Fire resistance (GWEPT)	650 °C
Free of halogens	Yes

**Regulations**

CE marking	Yes
UK marking	Yes

CMim marking	Yes
According to Regulations UNE/EN	UNE-EN 60670-1:2022 UNE- EN 60670-22:2007
In accordance with the Low Voltage Electrotechnical Regulations (REBT)	Yes
According to European Directive 2014/35 / EU. Low voltage directive	Yes

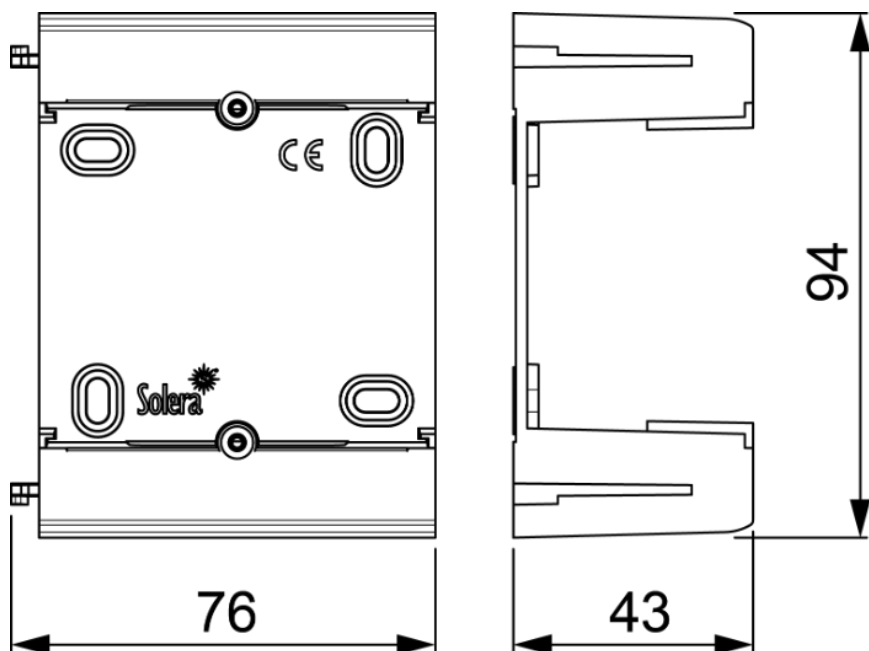
## Sustainability

According to European Directive 2011/65/UE (RoHS)	The Directive 2011/65/EU (RoHS II) is not applicable as it does not correspond to the definition of Electrical and Electronical Equipment (EEE) as per article 3.1
According to European Directive 2012/19/UE (RAEE2)	Not applicable because it does not meet the definition of Electrical and Electronic Equipment (EEE) as described in Article 3.1(a) of Directive 2012/19/EU (WEEE II).

## Logistics and packaging

Unit EAN code	8423220092631
EAN code container	8423220092631
EAN code packaging	18423220092638
Units packaging	1
Units carton	102
Pallet Units	3570
Packaging Measurements cm	102x3x3
Packaging Measures cm	59,5x37,5x20
Container Weight (Kg)	0,005
Packaging Weight (Kg)	1,05
Tariff code	85371098

## Sketch



## Documentation and downloads



Safety Information (0.38MB)