

Flush mechanism box for 1 module, 67 x 77 x 42 mm. Universal. Linkable. AENOR certified.

Flush mechanism box for 1 module, 67 x 77 x 42 mm. Universal. Linkable. AENOR certified. With 5 inputs for tube Ø 25 mm.



Features

Installation method	Flush in work
Use	Domestic / Tertiary
Location type	Inside
No. Modules (18 mm)	1
Dimensions gap (mm) (Width x Height x Depth)	67x77x42
Case material	Insulation
Case color	Black
Ticket type	Unfathomable
No. of inlets and size (mm)	5xØ25
Linkable	Horizontally
Common applications	Indoor domestic / tertiary environment (Interior of home, offices, shops, etc.)
Lightening torque	0.30 - 0.40 Nm

Technical data

Insulation class	Class II
Fire resistance (GWEPT)	650 °C
Heat resistance (Ball pressure)	70 °C
Installation temperature	-5 °C -> +60 °C
Free of halogens	Yes

Regulations

CE marking	Yes
UK marking	Yes
CMim marking	Yes
According to Regulations UNE/EN	UNE-EN 60670-1:2022 UNE- EN 60670-22:2007
In accordance with the Low Voltage Electrotechnical Regulations (REBT)	Yes
According to European Directive 2014/35 / EU. Low voltage directive	Yes

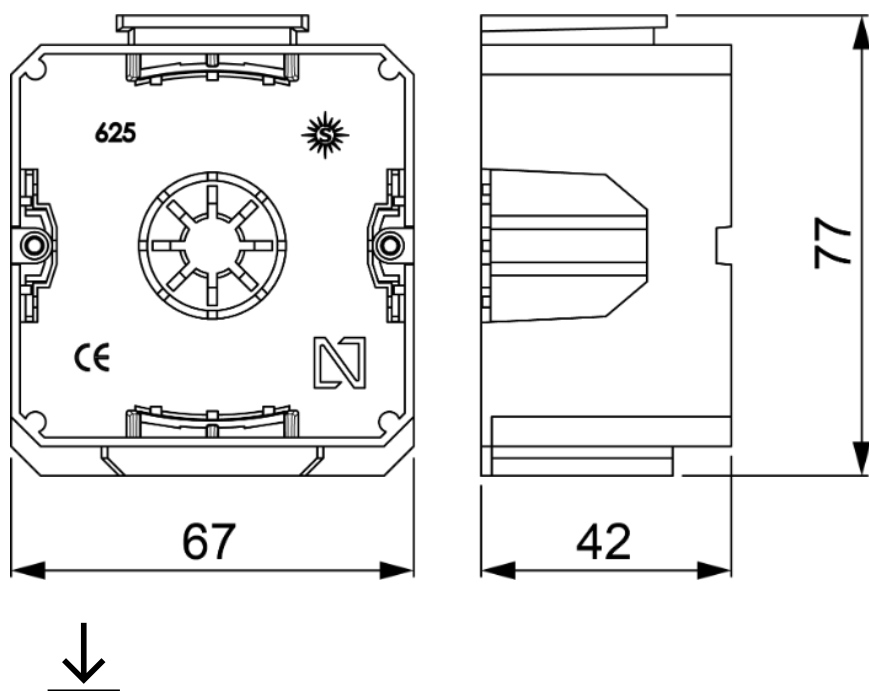
Sustainability

According to European Directive 2011/65/UE (RoHS)	The Directive 2011/65/EU (RoHS II) is not applicable as it does not correspond to the definition of Electrical and Electronical Equipment (EEE) as per article 3.1
According to European Directive 2012/19/UE (RAEE2)	Not applicable because it does not meet the definition of Electrical and Electronic Equipment (EEE) as described in Article 3.1(a) of Directive 2012/19/EU (WEEE II).

Logistics and packaging

Unit EAN code	8423220006256
EAN code container	8423220006256
EAN code packaging	18423220006253
Units packaging	20
Units carton	500
Pallet Units	7500
Packaging Measures cm	59,5x39,5x59,5
Unit weight (g)	30,6
Container Weight (Kg)	0,623
Packaging Weight (Kg)	16,705
Tariff code	85371098

Sketch



Documentation and downloads



Safety Information (0.38MB)