

## Industrial distribution box of 11 modules. Swimming pool control panel.



### Features

Installation method	Surface
Use	Domestic / Tertiary
Location type	Exterior and interior
No. Modules (18 mm)	11
Modules per row	11
Metallic DIN profile	Yes
Dimensions outside (mm) (width x height x depth)	270x250x160
Case material	Insulation
Case color	Grey (RAL7035)
Cap color	Grey (RAL 7035)
Door color	Fume
Door opening	Vertical
Battens included	Yes (Screw terminals)
Strip type	Ground
No. of terminals and size	12x6 mm <sup>2</sup> + 2x16 mm <sup>2</sup>
Ticket type	With centricity points.
Fixation System (For surface)	Ref.KIT1300SOP (not included). For all INDUBOX except for Ref. 1303 and 1304
Sealable	Yes
Linkable	Vertically and horizontally
Lid closure system	Ultra-fast metal screw

Door closing system	Handle
Possibility of putting lock	Yes (not included)
Possibility of mounting DIN rail	Yes (included)
Common applications	Domestic / tertiary outdoor environment (garden, swimming pool, parking, public road, etc.)

## Technical data

Protection Degree (IK)	IK08
Impact shock resistance	Strong
Insulation class	Class II
Fire resistance (GWEPT)	650 °C
Heat resistance (Ball pressure)	70 °C
UV resistance	Yes
Free of halogens	Yes
Suitable for saline environments	Yes

## Regulations

CE marking	Yes
UK marking	Yes
CMim marking	Yes
According to Regulations	UNE-EN 62208: 2012
According to Regulations UNE/EN	UNE-EN 61439-1: 2021 UNE-EN 61439-3: 2012
In accordance with the Low Voltage Electrotechnical Regulations (REBT)	Yes
According to European Directive 2014/35 / EU. Low voltage directive	Yes

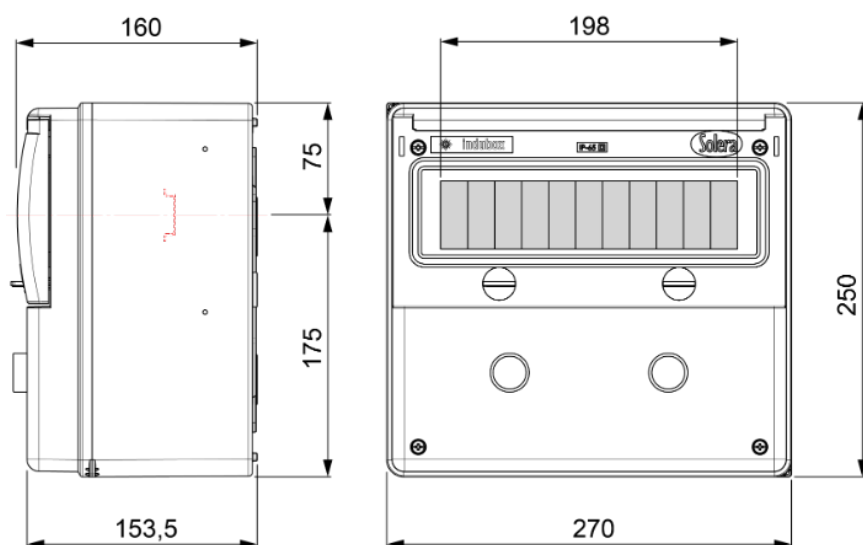
## Sustainability

According to European Directive 2011/65/UE (RoHS)	The box does not correspond to the definition of Electrical and Electronical Equipment (EEE), but the included devices are affected individually.
According to European Directive 2012/19/UE (RAEE2)	The box does not correspond to the definition of Electrical and Electronical Equipment (EEE), but the included devices are affected individually.

## Logistics and packaging

Unit EAN code	8423220231269
EAN code container	8423220231269
EAN code packaging	18423220231266
Units packaging	1
Units carton	6
Pallet Units	50
Packaging Measurements cm	27,5x25,5x17,5
Packaging Measures cm	10,2x14x12
Unit weight (g)	4110
Container Weight (Kg)	4,317
Packaging Weight (Kg)	26,511
Tariff code	85381000

## Sketch



## Documentation and downloads



Assembly instructions (1.16MB)



Commercial doc. (6.32MB)



Commercial doc. (2.73MB)



Safety Information (0.38MB)

 Industrial cabinets IP65, IK08 (Solera) (Ed. 2024)