

Industrial distribution box of 8 modules.

Industrial distribution box of 8 modules. IP65. IK08. External dimensions 215 x 200 x 115 mm. With centring points. Ultra-fast stainless-steel closing screws.



Features

Installation method	Surface
Use	Industrial
Location type	Exterior and interior
No. Modules (18 mm)	8
Modules per row	8
Metallic DIN profile	Yes
Dimensions outside (mm) (width x height x depth)	215x200x115
Case material	Insulation
Case color	Grey (RAL7035)
Cap color	Grey (RAL 7035)
Door color	Fume
Ticket type	With centricity points.
Fixation System (For surface)	Ref.KIT1300SOP (not included). For all INDUBOX except for Ref. 1303 and 1304
Sealable	Yes
Linkable	Vertically and horizontally
Lid closure system	Ultra-fast metal screw
Door closing system	Handle
Possibility of mounting strips	Yes (not included)
Possibility of mounting with key / padlock	No
Possibility of putting lock	Yes (not included)

Possibility of mounting DIN rail	Yes (included)
Valid for photovoltaic installations	Yes
Common applications	Industrial environments (factories, warehouses, etc.)

Technical data

Protection Degree (IK)	IK08
Impact shock resistance	Strong
Insulation class	Class II
Fire resistance (GWEPT)	650 °C
Heat resistance (Ball pressure)	70 °C
UV resistance	Yes
Free of halogens	Yes
Suitable for saline environments	Yes

Regulations

CE marking	Yes
UK marking	Yes
CMim marking	Yes
According to Regulations	UNE-EN 61439-1: 2021, UNE-EN 61439-3: 2012, UNE-EN 61439-4: 2013
According to Regulations UNE/EN	UNE-EN 62208:2012
In accordance with the Low Voltage Electrotechnical Regulations (REBT)	Yes
According to European Directive 2014/35 / EU. Low voltage directive	Yes

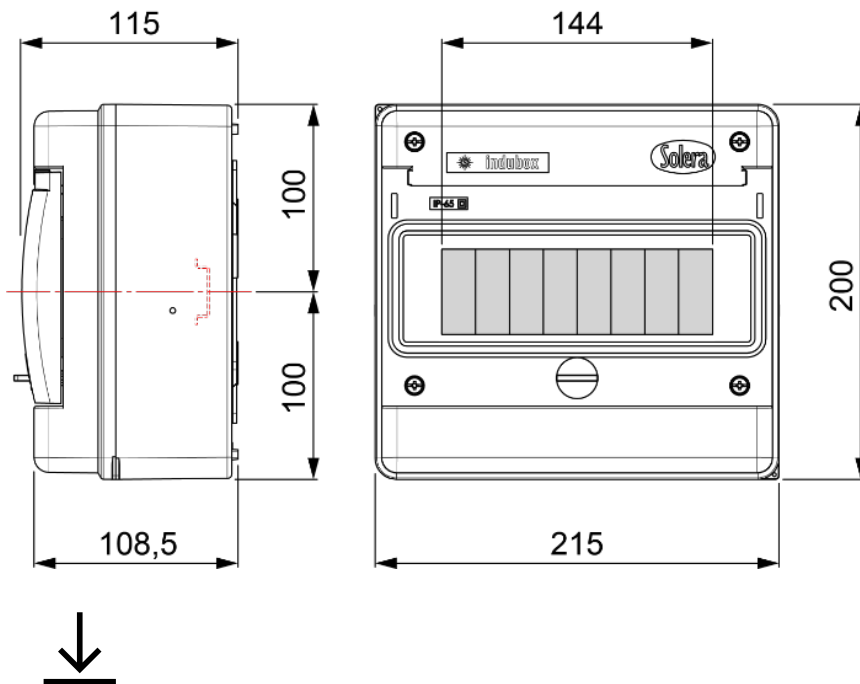
Sustainability

According to European Directive 2011/65/UE (RoHS)	The Directive 2011/65/EU (RoHS II) is not applicable as it does not correspond to the definition of Electrical and Electronical Equipment (EEE) as per article 3.1
According to European Directive 2012/19/UE (RAEE2)	Not applicable because it does not meet the definition of Electrical and Electronic Equipment (EEE) as described in Article 3.1(a) of Directive 2012/19/EU (WEEE II).

Logistics and packaging

Unit EAN code	8423220057081
EAN code container	8423220057081
EAN code packaging	18423220057088
Units packaging	1
Units carton	18
Pallet Units	180
Packaging Measurements cm	22x20,5x12,5
Packaging Measures cm	56x37,5x70,5
Unit weight (g)	839
Container Weight (Kg)	0,967
Packaging Weight (Kg)	18,382
Tariff code	85381000

Sketch



Documentation and downloads



Assembly instructions (1.16MB)



Series replenishments (0.05MB)



Safety Information (0.38MB)



Industrial cabinets IP65, IK08 (Solera) (Ed. 2024)