

**Sealed connection box without cones. Grey colour. External dimensions 215x200x140 mm  
Internal dimensions 207 x 192 x 131 mm**

Sealed connection box without cones. Grey colour. IP65. IK08. With centricity points. External dimensions 215x200x140 mm Internal dimensions 207 x 192 x 131 mm. Quick closure with stainless screws.



## Features

Installation method	Surface
Use	Industrial
Location type	Exterior and interior
Dimensions outside (mm) (width x height x depth)	215x200x140
Dimensions inside (mm) (Width x Height x Depth)	207x192x131.
Case material	Insulation
Case color	Grey (RAL7035)
Cap color	Grey (RAL 7035)
Battens included	No
Ticket type	Pre-punched
No. of inlets and size (mm)	SUP/INF: 1xØ32-40, 2xØ25, 2xØ20
Fixation System (For surface)	Ref.KIT1300SOP (not included). For all INDUBOX except for Ref. 1303 and 1304
Sealable	Yes
Linkable	Vertically and horizontally
Lid closure system	Ultra-fast metal screw
Possibility of mounting strips	Yes (not included)
Possibility of mounting DIN rail	Yes (not included)
Valid for photovoltaic installations	Yes
Common applications	Industrial environments (factories, warehouses, etc.)

## Technical data

Protection Degree (IK)	IK08
Impact shock resistance	Strong
Insulation class	Class II
Fire resistance (GWEPT)	650 °C
Heat resistance (Ball pressure)	70 °C
UV resistance	Yes
Free of halogens	Yes
Suitable for saline environments	Yes

## Regulations

CE marking	Yes
UK marking	Yes
CMim marking	Yes
According to Regulations UNE/EN	UNE-EN 60670-1:2022 UNE- EN 60670-22:2007
In accordance with the Low Voltage Electrotechnical Regulations (REBT)	Yes
According to European Directive 2014/35 / EU. Low voltage directive	Yes

## Sustainability

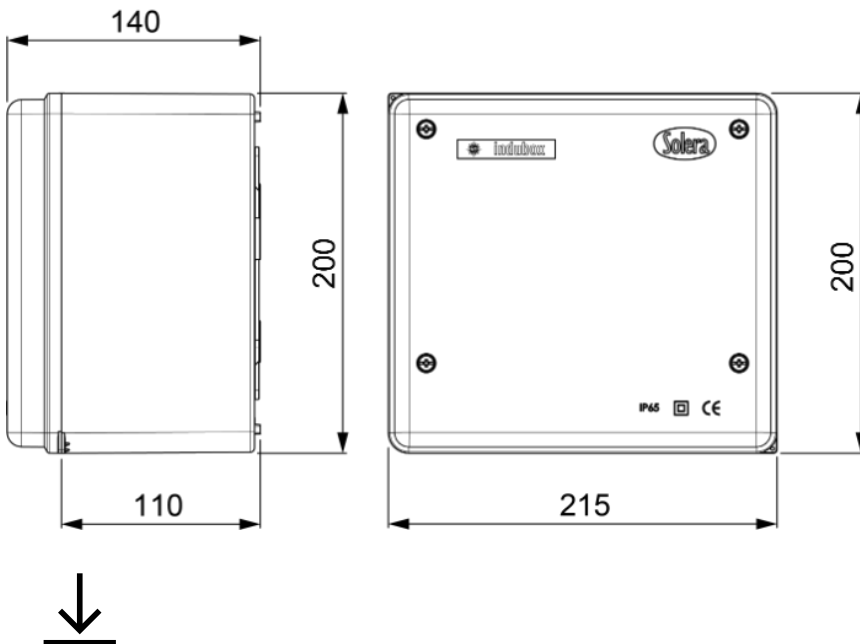
According to European Directive 2011/65/UE (RoHS)	The Directive 2011/65/EU (RoHS II) is not applicable as it does not correspond to the definition of Electrical and Electronical Equipment (EEE) as per article 3.1
According to European Directive 2012/19/UE (RAEE2)	Not applicable because it does not meet the definition of Electrical and Electronic Equipment (EEE) as described in Article 3.1(a) of Directive 2012/19/EU (WEEE II).

## Logistics and packaging

Unit EAN code	8423220084452
EAN code container	8423220084452
EAN code packaging	18423220084459

Units packaging	1
Units carton	18
Pallet Units	216
Packaging Measures cm	59,5x39,5x64
Unit weight (g)	732
Container Weight (Kg)	0,746
Packaging Weight (Kg)	14,678
Tariff code	85381000

## Sketch



## Documentation and downloads



Assembly instructions (1.16MB)



Commercial doc. (6.32MB)



Safety Information (0.38MB)



Series replenishments (0.05MB)



Industrial cabinets IP65, IK08 (Solera) (Ed. 2024)