

Flush efficient mechanism box in hollow partition. For 3 modules. Nylon ties fixing system.

Flush efficient mechanism box in hollow partition. For 3 modules. Nylon ties fixing system. Flush dimensions 210 x 68 x 46 mm. 4 inputs for tube Ø 16-20 mm. 4 inputs for tube Ø 20-25 mm. Use cutter Ø 68 mm.



Features

Installation method	For hollow wall.
Use	Domestic / Tertiary
Location type	Inside
No. Modules (18 mm)	3
Dimensions gap (mm) (Width x Height x Depth)	210 x 68 x 46
Case material	Insulation
Case color	Blue
Ticket type	Flexible membrane
No. of inlets and size (mm)	4 entradas para tubo ø16-20 y 4 entradas para tubo ø20-25
Alignment marks	Alignment Marks
Fixing system to the hollow partition.	Nylon flange
Common applications	Indoor domestic / tertiary environment (Interior of home, offices, shops, etc.)
Lightening torque	0.30 - 0.40 Nm

Technical data

Fire resistance (GWEPT)	850 °C
Installation temperature	-5 °C -> +60 °C
Ambient operating temperature	-5 °C ; +60 °C
Free of halogens	Yes

Regulations

CE marking	Yes
UK marking	Yes
CMim marking	Yes
According to Regulations UNE/EN	UNE-EN 60670-1:2022 UNE- EN 60670-22:2007
In accordance with the Low Voltage Electrotechnical Regulations (REBT)	Yes
AENOR certificate	Yes
CB certificate	Yes
According to European Directive 2014/35 / EU. Low voltage directive	Yes

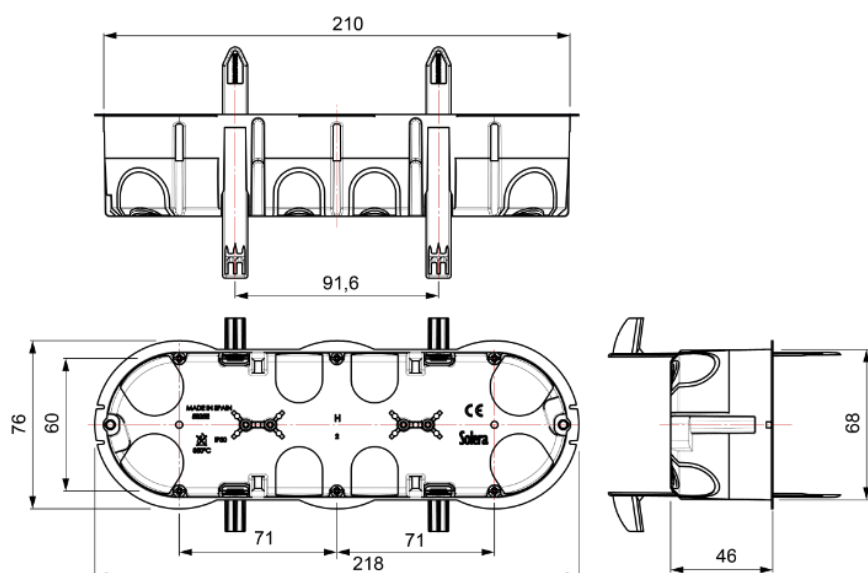
Sustainability

According to European Directive 2011/65/EU (RoHS)	The Directive 2011/65/EU (RoHS II) is not applicable as it does not correspond to the definition of Electrical and Electronical Equipment (EEE) as per article 3.1
According to European Directive 2012/19/EU (RAEE2)	Not applicable because it does not meet the definition of Electrical and Electronic Equipment (EEE) as described in Article 3.1(a) of Directive 2012/19/EU (WEEE II).

Logistics and packaging

EAN code container	8423220231191
EAN code packaging	18423220231198
Units packaging	6
Units carton	144
Pallet Units	1728
Packaging Measures cm	59,5x39,5x64
Unit weight (g)	74,8
Container Weight (Kg)	0,4588
Packaging Weight (Kg)	12,2612
Tariff code	39259010

Sketch



Documentation and downloads



Assembly instructions (3.56MB)



Commercial doc. (3.42MB)



Safety Information (0.38MB)



Mechanism boxes for dry wall, Blue range (Solera)



Mounting mechanism boxes for dry wall (Solera)