

Flush efficient mechanism box in hollow partition. For 2 modules. Nylon ties fixing system.

Flush efficient mechanism box in hollow partition. For 2 modules. Nylon ties fixing system. Flush dimensions 139 x 68 mm. 4 entries for Ø16–20 mm conduit and 2 entries for Ø20–25 mm conduit. Use Ø 68 mm hole saw.



Features

Installation method	For hollow wall.
Use	Domestic / Tertiary
Location type	Inside
No. Modules (18 mm)	2
Dimensions gap (mm) (Width x Height x Depth)	139X68X46 mm
Case material	Insulation
Case color	Blue
Ticket type	Flexible membrane
No. of inlets and size (mm)	2 entradas para tubo ø 16-20 y 4 entradas para tubo ø 20-25
Alignment marks	Alignment Marks
Fixing system to the hollow partition.	Nylon flange
Common applications	Indoor domestic / tertiary environment (Interior of home, offices, shops, etc.)
Lightening torque	0.30 - 0.40 Nm

Technical data

Fire resistance (GWEPT)	850 °C
Installation temperature	-5 °C -> +60 °C
Ambient operating temperature	-5 °C ; +60 °C
Free of halogens	Yes

Regulations

CE marking	Yes
UK marking	Yes
CMim marking	Yes
According to Regulations UNE/EN	UNE-EN 60670-1:2022 UNE- EN 60670-22:2007
In accordance with the Low Voltage Electrotechnical Regulations (REBT)	Yes
AENOR certificate	Yes
CB certificate	Yes
According to European Directive 2014/35 / EU. Low voltage directive	Yes

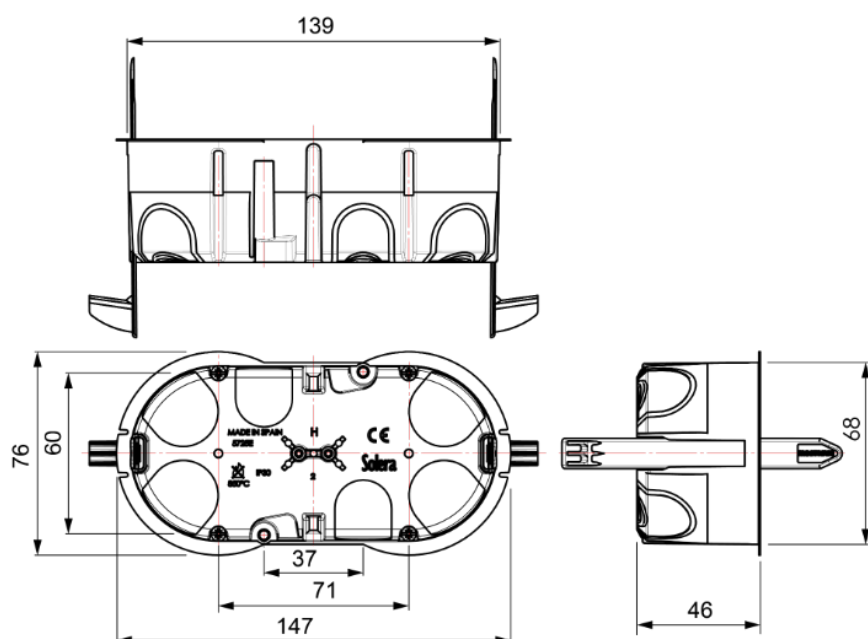
Sustainability

According to European Directive 2011/65/EU (RoHS)	The Directive 2011/65/EU (RoHS II) is not applicable as it does not correspond to the definition of Electrical and Electronical Equipment (EEE) as per article 3.1
According to European Directive 2012/19/EU (RAEE2)	Not applicable because it does not meet the definition of Electrical and Electronic Equipment (EEE) as described in Article 3.1(a) of Directive 2012/19/EU (WEEE II).

Logistics and packaging

Unit EAN code	8423220236660
EAN code container	8423220231184
EAN code packaging	18423220231181
Units packaging	10
Units carton	220
Pallet Units	3300
Packaging Measures cm	59,5x39,5x59,5
Unit weight (g)	41,4
Container Weight (Kg)	0,424
Packaging Weight (Kg)	10,458
Tariff code	39259010

Sketch



Documentation and downloads



Assembly instructions (3.56MB)



Commercial doc. (3.42MB)



Safety Information (0.38MB)



Mechanism boxes for dry wall, Blue range (Solera)



Mounting mechanism boxes for dry wall (Solera)