

Flush mechanism box in hollow partition. For 2 modules. Fixing with metal claws.

Flush mechanism box in hollow partition. For 2 modules. Fixing with metal claws. Flush dimensions 140 x 68 x 46 mm. 4 entries for Ø20-25 mm conduit and 4 entries for Ø16-20 mm conduit. Use Ø 68 mm hole saw. Black colour.



Features

Installation method	For hollow wall.
Use	Domestic / Tertiary
Location type	Inside
Dimensions inside (mm) (Width x Height x Depth)	140x68x46
Case material	Insulation
Case color	Black
Ticket type	Unfathomable
No. of inlets and size (mm)	4xØ20, 4xØ25
Fixing system to the hollow partition.	Short metal claw
Common applications	Indoor domestic / tertiary environment (Interior of home, offices, shops, etc.)

Technical data

Fire resistance (GWEPT)	850 °C
Work stress	400 Vac
Free of halogens	Yes

Regulations

CE marking	Yes
UK marking	Yes
CMim marking	Yes

According to Regulations UNE/EN	UNE-EN 60670-1:2022 UNE- EN 60670-22:2007
In accordance with the Low Voltage Electrotechnical Regulations (REBT)	Yes
According to European Directive 2014/35 / EU. Low voltage directive	Yes

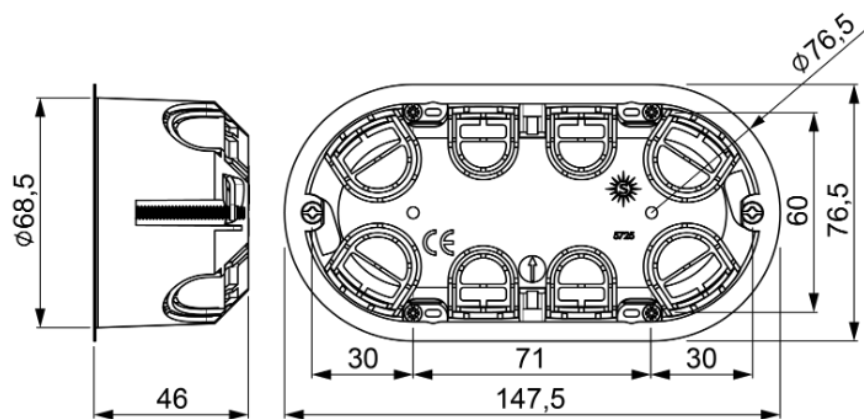
Sustainability

According to European Directive 2011/65/UE (RoHS)	The Directive 2011/65/EU (RoHS II) is not applicable as it does not correspond to the definition of Electrical and Electronical Equipment (EEE) as per article 3.1
According to European Directive 2012/19/UE (RAEE2)	Not applicable because it does not meet the definition of Electrical and Electronic Equipment (EEE) as described in Article 3.1(a) of Directive 2012/19/EU (WEEE II).

Logistics and packaging

Unit EAN code	8423220236653
EAN code container	8423220011960
EAN code packaging	18423220011967
Units packaging	10
Units carton	260
Pallet Units	3900
Packaging Measures cm	59,5x39,5x59,5
Unit weight (g)	52
Container Weight (Kg)	0,529
Packaging Weight (Kg)	14,884
Tariff code	39259010

Sketch



Documentation and downloads



Assembly instructions (3.63MB)



Commercial doc. (3.42MB)



Safety Information (0.38MB)



Mechanism boxes for dry wall, Blue range (Solera)



Mounting mechanism boxes for dry wall (Solera)