

Flush connection box in hollow partition. 107 x 107 mm. Cover with screws.

Flush connection box in hollow partition. 107 x 107 mm. Cover with screws. Depth 45 mm. 12 inputs for tube Ø 25 mm.



Features

Installation method	For hollow wall.
Use	Domestic / Tertiary
Location type	Inside
Dimensions gap (mm) (Width x Height x Depth)	107x107x45
Case material	Insulation
Case color	Black
Cap color	White
Ticket type	Unfathomable
No. of inlets and size (mm)	12xØ25
Lid closure system	Metal screw
Fixing system to the hollow partition.	Short metal claw
Common applications	Indoor domestic / tertiary environment (Interior of home, offices, shops, etc.)

Technical data

Fire resistance (GWEPT)	850 °C
Heat resistance (Ball pressure)	70 °C
Ambient operating temperature	-5 °C ; +60 °C
Work stress	400 Vac
Free of halogens	Yes

Regulations

CE marking	Yes
UK marking	Yes
CMim marking	Yes
According to Regulations UNE/EN	UNE-EN 60670-1:2022 UNE- EN 60670-22:2007
In accordance with the Low Voltage Electrotechnical Regulations (REBT)	Yes
In accordance with the Telecommunications Regulations (ICT)	Yes
CB certificate	Yes
According to European Directive 2014/35 / EU. Low voltage directive	Yes

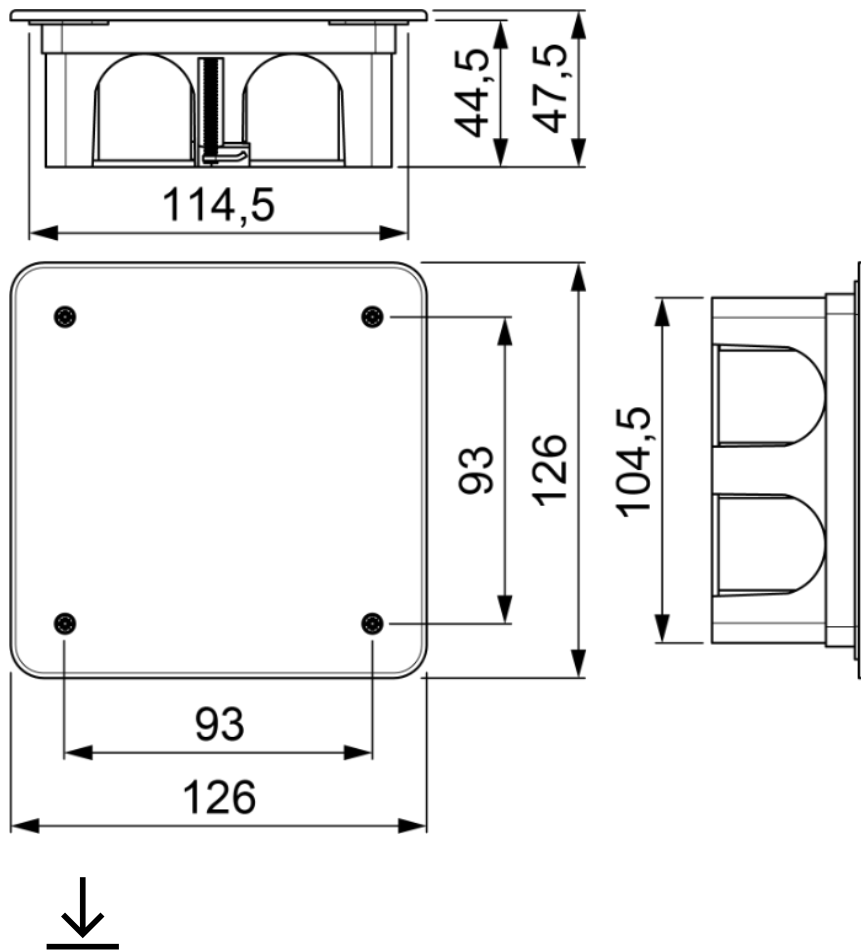
Sustainability

According to European Directive 2011/65/EU (RoHS)	The Directive 2011/65/EU (RoHS II) is not applicable as it does not correspond to the definition of Electrical and Electronical Equipment (EEE) as per article 3.1
According to European Directive 2012/19/EU (RAEE2)	Not applicable because it does not meet the definition of Electrical and Electronic Equipment (EEE) as described in Article 3.1(a) of Directive 2012/19/EU (WEEE II).

Logistics and packaging

Unit EAN code	8423220236530
EAN code container	8423220044494
EAN code packaging	18423220044491
Units packaging	4
Units carton	168
Pallet Units	2016
Packaging Measures cm	59,5x39,5x64
Unit weight (g)	105,6
Container Weight (Kg)	0,4324
Packaging Weight (Kg)	19,4108
Tariff code	39259010

Sketch



Documentation and downloads

-  Assembly instructions (5.17MB)
-  Safety Information (0.38MB)
-  Mounting back junction boxes for Dry wall (Solera)
-  Commercial doc. (3.42MB)
-  Back junction boxes for Dry wall (Solera)