

## Flush connection box. 100 x 50 mm. Cover with screws.

Flush connection box. 100 x 50 mm. Cover with screws. Depth 45 mm. 6 inputs for tube Ø 32 mm.



### Features

Installation method	Flush in work
Use	Domestic / Tertiary
Location type	Inside
Dimensions inside (mm) (Width x Height x Depth)	100x50x45
Case material	Insulation
Case color	Black
Cap color	White
No. of inlets and size (mm)	6xØ 32
Lid closure system	Metal screw
Common applications	Indoor domestic / tertiary environment (Interior of home, offices, shops, etc.)

### Technical data

Impact shock resistance	Medium
Insulation class	Class II
Fire resistance (GWEPT)	650 °C
Heat resistance (Ball pressure)	70 °C
Work stress	400 Vac
Free of halogens	Yes

## Regulations

CE marking	Yes
UK marking	Yes
CMim marking	Yes
According to Regulations UNE/EN	UNE-EN 60670-1:2022 UNE- EN 60670-22:2007
In accordance with the Low Voltage Electrotechnical Regulations (REBT)	Yes
According to European Directive 2014/35 / EU. Low voltage directive	Yes

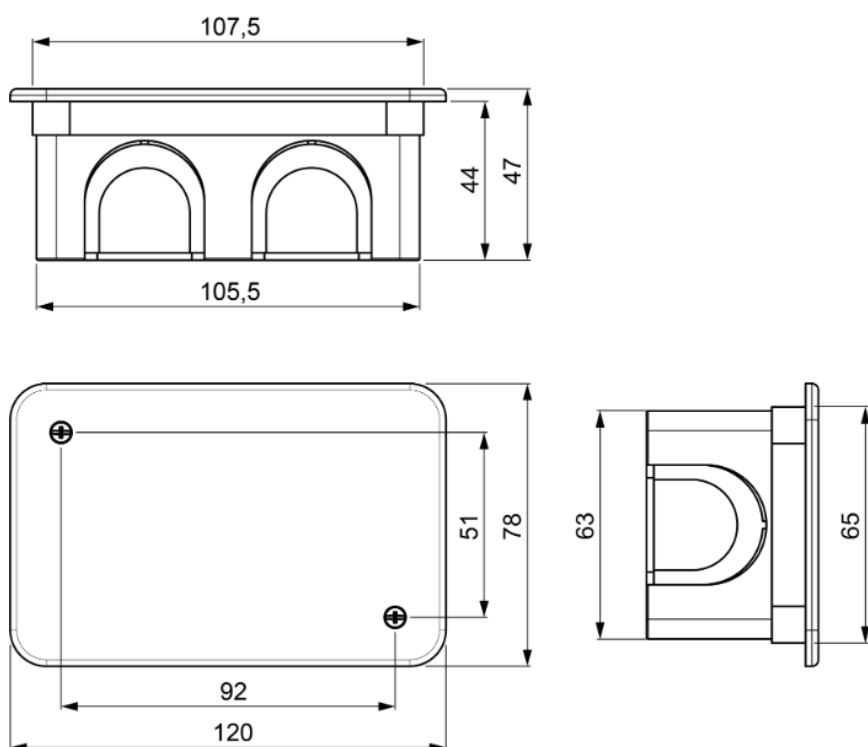
## Sustainability

According to European Directive 2011/65/UE (RoHS)	The Directive 2011/65/EU (RoHS II) is not applicable as it does not correspond to the definition of Electrical and Electronical Equipment (EEE) as per article 3.1
According to European Directive 2012/19/UE (RAEE2)	Not applicable because it does not meet the definition of Electrical and Electronic Equipment (EEE) as described in Article 3.1(a) of Directive 2012/19/EU (WEEE II).

## Logistics and packaging

Unit EAN code	8423220240339
EAN code container	8423220003613
EAN code packaging	18423220003610
Units packaging	10
Units carton	280
Pallet Units	4200
Packaging Measures cm	59,5x39,5x59,5
Unit weight (g)	67,6
Container Weight (Kg)	0,686
Packaging Weight (Kg)	20,338
Tariff code	85371098

## Sketch



## Documentation and downloads



Assembly instructions (0.17MB)



Safety Information (0.38MB)