

Flush connection box. Ø 80 mm. Cover with metal claw.

Flush connection box. Ø 80 mm. Cover with metal claw. Depth 40 mm. 6 inputs for tube Ø 25 mm.



Features

| | |
|---|---|
| Installation method | Flush in work |
| Use | Domestic / Tertiary |
| Location type | Inside |
| Dimensions inside (mm) (Width x Height x Depth) | Ø 80x40 |
| Case material | Insulation |
| Case color | Black |
| Cap color | White |
| No. of inlets and size (mm) | 6xØ 25 |
| Lid closure system | Metal claw |
| Common applications | Indoor domestic / tertiary environment (Interior of home, offices, shops, etc.) |

Technical data

| | |
|---------------------------------|----------|
| Impact shock resistance | Medium |
| Insulation class | Class II |
| Fire resistance (GWEPT) | 650 °C |
| Heat resistance (Ball pressure) | 70 °C |
| Work stress | 400 Vac |
| Free of halogens | Yes |

Regulations

| | |
|--|--|
| CE marking | Yes |
| UK marking | Yes |
| CMim marking | Yes |
| According to Regulations UNE/EN | UNE-EN 60670-1:2022 UNE- EN 60670-22:2007 |
| In accordance with the Low Voltage Electrotechnical Regulations (REBT) | Yes |
| According to European Directive 2014/35 / EU. Low voltage directive | Yes |

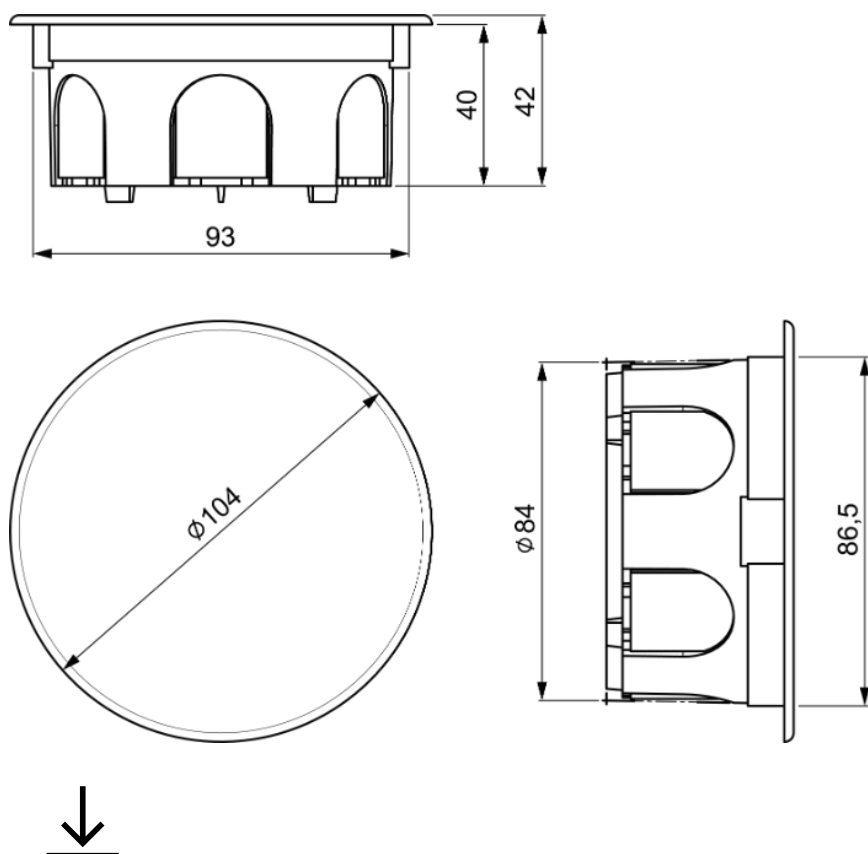
Sustainability

| | |
|--|---|
| According to European Directive 2011/65/UE (RoHS) | The Directive 2011/65/EU (RoHS II) is not applicable as it does not correspond to the definition of Electrical and Electronical Equipment (EEE) as per article 3.1 |
| According to European Directive 2012/19/UE (RAEE2) | Not applicable because it does not meet the definition of Electrical and Electronic Equipment (EEE) as described in Article 3.1(a) of Directive 2012/19/EU (WEEE II). |

Logistics and packaging

| | |
|-----------------------|----------------|
| Unit EAN code | 8423220240490 |
| EAN code container | 8423220005143 |
| EAN code packaging | 18423220005140 |
| Units packaging | 8 |
| Units carton | 288 |
| Pallet Units | 4320 |
| Packaging Measures cm | 59,5x39,5x59,5 |
| Unit weight (g) | 54,2 |
| Container Weight (Kg) | 0,4436 |
| Packaging Weight (Kg) | 17,0996 |
| Tariff code | 85371098 |

Sketch



Documentation and downloads



Assembly instructions (0.17MB)



Safety Information (0.38MB)



Series replenishments (0.26MB)