

## Surface distribution board, 6 modules.

Surface distribution board, 6 modules. White colour. External dimensions 130 x 146 x 58 mm. Sealable.



## Features

Installation method	Surface
Use	Domestic / Tertiary
Location type	Inside
No. Modules (18 mm)	6
Modules per row	6
Dimensions outside (mm) (width x height x depth)	130 x 146 x 58 mm
Dimensions (mm)	See sketch
Case material	Insulation
Case color	White
Ticket type	Smooth sides (machining inlets)
Fixation System (For surface)	Inside
Sealable	Yes
Lid closure system	Metal screw
Possibility of putting lock	Not
Possibility of mounting DIN rail	Yes (included)
Common applications	Indoor domestic / tertiary environment (Interior of home, offices, shops, etc.)
Additional dimensions (mm)	See sketch

## Technical data

Protection Degree (IK)	IK07
Insulation class	Class II
Fire resistance (GWEPT)	650 °C
Heat resistance (Ball pressure)	70 °C
Free of halogens	Yes

## Regulations

CE marking	Yes
UK marking	Yes
CMim marking	Yes
According to Regulations UNE/EN	UNE-EN 62208:2012
In accordance with the Low Voltage Electrotechnical Regulations (REBT)	Yes
According to European Directive 2014/35 / EU. Low voltage directive	Yes

## Sustainability

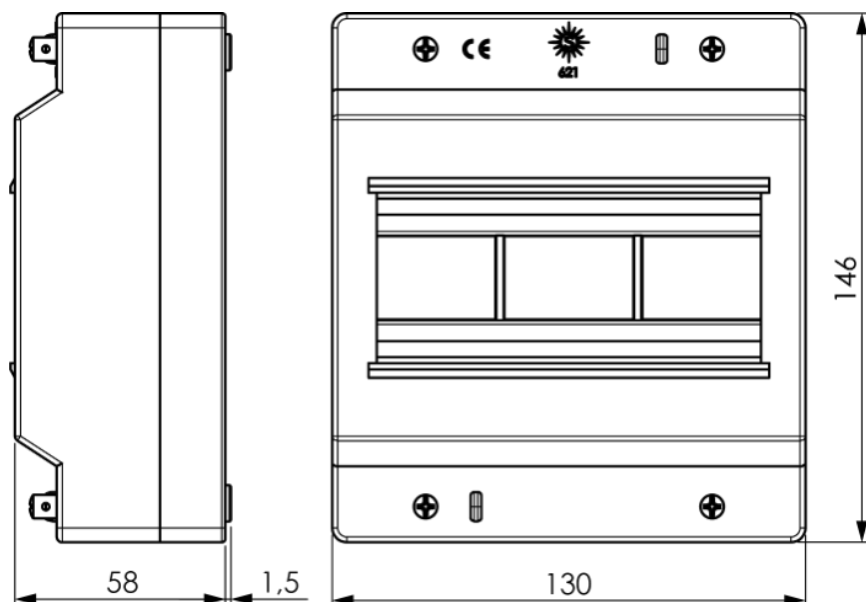
According to European Directive 2011/65/UE (RoHS)	The Directive 2011/65/EU (RoHS II) is not applicable as it does not correspond to the definition of Electrical and Electronical Equipment (EEE) as per article 3.1
According to European Directive 2012/19/UE (RAEE2)	Not applicable because it does not meet the definition of Electrical and Electronic Equipment (EEE) as described in Article 3.1(a) of Directive 2012/19/EU (WEEE II).

## Logistics and packaging

Unit EAN code	8423220236905
EAN code container	8423220011649
EAN code packaging	18423220011646
Units packaging	5
Units carton	100
Pallet Units	1500
Packaging Measures cm	59,5x39,5x59,5
Unit weight (g)	144,2

Container Weight (Kg)	0,721
Packaging Weight (Kg)	15,368
Tariff code	85371098

## Sketch



## Documentation and downloads



Assembly instructions (0.72MB)



Safety Information (0.38MB)