

Flush distribution board, 2 modules. Smoked door.

Flush board with 2 modules. White frame and smoked door. Flush dimensions 60 x 130 x 62 mm. For simple modular components in tight spaces.



Features

Installation method	Flush in work
Use	Domestic / Tertiary
Location type	Inside
No. Modules (18 mm)	2
Modules per row	2
Metallic DIN profile	Yes
Dimensions gap (mm) (Width x Height x Depth)	60x130x62
Dimensions (mm)	See sketch
Case material	Insulation
Frame and door material	Insulation
Case color	Black
Cap color	White
Door color	Fume
Door opening	Vertical
Battens included	No
Ticket type	Unfathomable
Fixation System (For surface)	Inside
Sealable	Not
Lid closure system	Metal screw
Door closing system	A Pressure
Reversible door	Yes
Possibility of putting lock	Not
Separate covers or doors on the boxes	Yes
Possibility of mounting DIN rail	Yes (included)

Common applications	Indoor domestic / tertiary environment (Interior of home, offices, shops, etc.)
Additional dimensions (mm)	See sketch

Technical data

Protection Degree (IK)	IK08
Insulation class	Class II
Fire resistance (GWEPT)	650 °C
Heat resistance (Ball pressure)	70 °C
Installation temperature	-5 °C -> +60 °C
Ambient operating temperature	-5 °C ; +60 °C
Work stress	400 Vac-1000 Vdc
Free of halogens	Yes

Regulations

CE marking	Yes
UK marking	Yes
CMim marking	Yes
According to Regulations UNE/EN	UNE-EN 62208:2012
In accordance with the Low Voltage Electrotechnical Regulations (REBT)	Yes
According to European Directive 2014/35 / EU. Low voltage directive	Yes

Sustainability

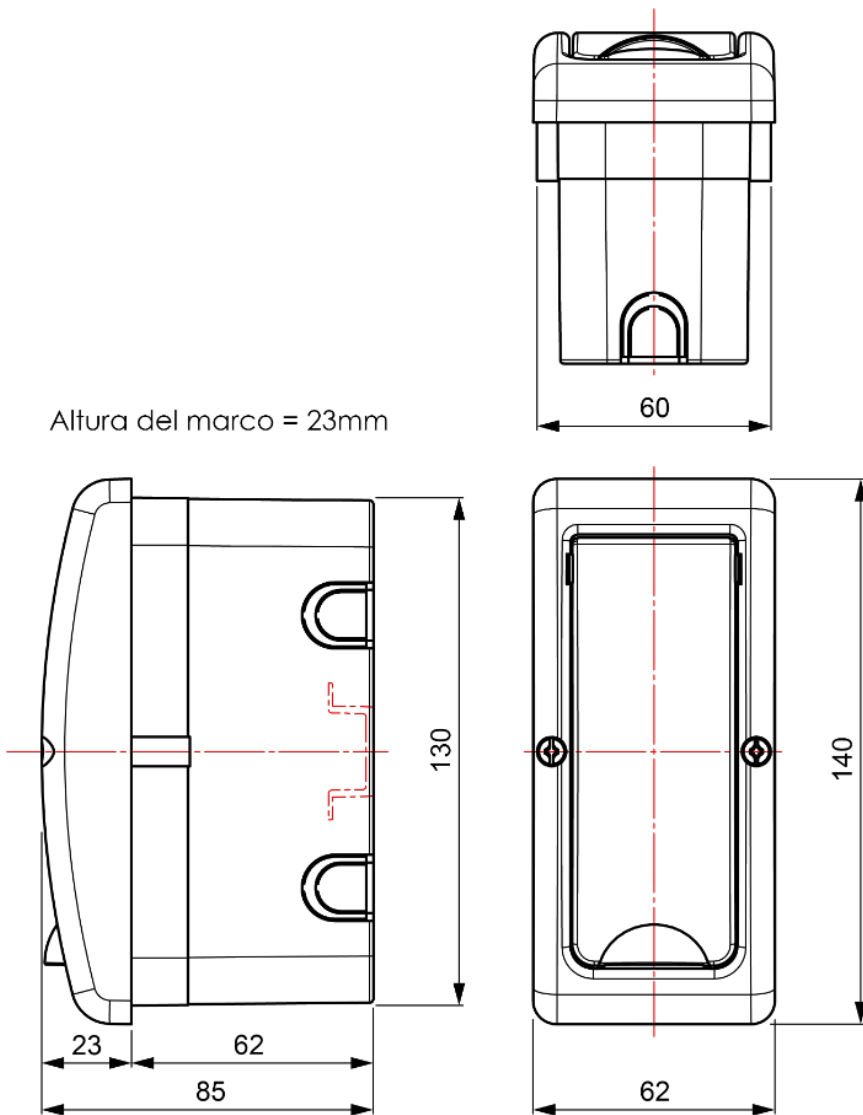
According to European Directive 2011/65/EU (RoHS)	The Directive 2011/65/EU (RoHS II) is not applicable as it does not correspond to the definition of Electrical and Electronical Equipment (EEE) as per article 3.1
According to European Directive 2012/19/EU (RAEE2)	Not applicable because it does not meet the definition of Electrical and Electronic Equipment (EEE) as described in Article 3.1(a) of Directive 2012/19/EU (WEEE II).

Logistics and packaging

Unit EAN code	8423220003521
EAN code container	8423220003521

EAN code packaging	18423220003528
Units packaging	1
Units carton	56
Pallet Units	1960
Packaging Measures cm	59,5x37,5x20
Unit weight (g)	91,6
Container Weight (Kg)	0,1036
Packaging Weight (Kg)	6,3416
Tariff code	85371098

Sketch





Documentation and downloads

- | | |
|---|--|
|  Assembly instructions (2.09MB) |  Included accessories (0.14MB) |
|  Safety Information (0.38MB) |  Link options for enclosures (0.13MB) |
|  Dimensions table (0.15MB) |  Series replenishments (0.04MB) |
|  Distribution boards Arelos range (Solera) 2020 | |