

Shade ring (large). Black colour.

Black "wide wing" lock washer made of durable thermoplastic. Designed for secure fixing of E27 lamp holders ref. 6829CRN and 6829CTN. Ensures stable mounting on thin or uneven surfaces.



Features

| | |
|--------------------------------|---|
| Common applications | Indoor domestic / tertiary environment (Interior of home, offices, shops, etc.) |
| Material | Thermoplastic |
| Threaded body | Yes |
| Color | Black |
| Threaded stud length in glands | sí |

Technical data

| | |
|------------------|-----|
| Free of halogens | Yes |
|------------------|-----|

Regulations

| | |
|--|-------------------|
| CE marking | Yes |
| UK marking | Yes |
| CMim marking | Yes |
| According to Regulations UNE/EN | UNE-EN 60238:2018 |
| In accordance with the Low Voltage Electrotechnical Regulations (REBT) | Yes |
| According to European Directive 2014/35 / EU. Low voltage directive | Yes |

Sustainability

| | |
|---|--|
| According to European Directive 2011/65/EU (RoHS) | The Directive 2011/65/EU (RoHS II) is not applicable as it does not correspond to the definition of Electrical and Electronical Equipment (EEE) as per article 3.1 |
|---|--|

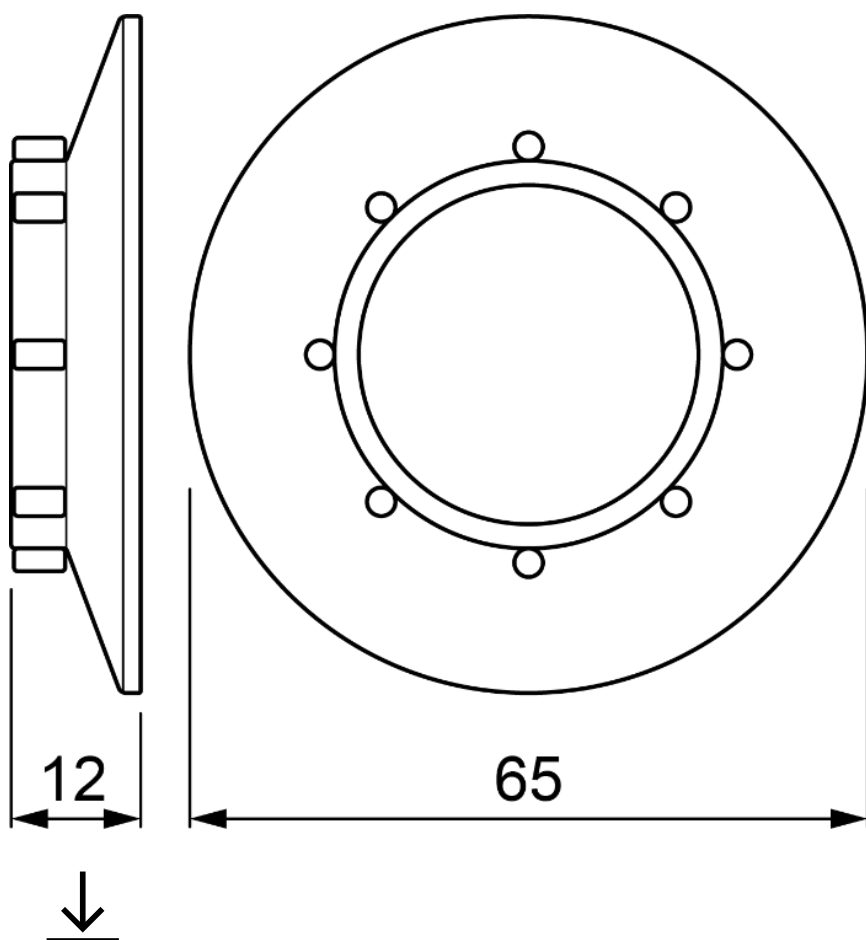
According to European Directive
2012/19/UE (RAEE2)

Not applicable because it does not meet the definition of Electrical and Electronic
Equipment (EEE) as described in Article 3.1(a) of Directive 2012/19/EU (WEEE II).

Logistics and packaging

| | |
|---------------------------|----------------|
| Unit EAN code | 8423220237650 |
| EAN code container | 8423220028319 |
| EAN code packaging | 18423220028316 |
| Units packaging | 55 |
| Units carton | 880 |
| Pallet Units | 30800 |
| Packaging Measurements cm | 14,5x8,8x19 |
| Packaging Measures cm | 59,5x37,5x20 |
| Unit weight (g) | 8,4 |
| Container Weight (Kg) | 0,509 |
| Packaging Weight (Kg) | 8,724 |
| Tariff code | 85366110 |

Sketch



Documentation and downloads



Safety Information (0.38MB)