

## Lampholder E-27 for construction. 4A 250V. Quick connection.

E27 lamp holder for temporary site installations. Quick connection without tools. White thermoplastic body, supports up to 40W, 250V, 4A. Reliable and easy to install.



### Features

Common applications	Indoor domestic / tertiary environment (Interior of home, offices, shops, etc.)
Material	Thermoplastic
Tension	250 V~
Electricity	4 A
Maximum power	40W
Color	White

### Technical data

Free of halogens	Yes
------------------	-----

### Regulations

CE marking	Yes
UK marking	Yes
CMim marking	Yes
According to Regulations UNE/EN	UNE-EN 60238:2018
In accordance with the Low Voltage Electrotechnical Regulations (REBT)	Yes
According to European Directive 2014/35 / EU. Low voltage directive	Yes

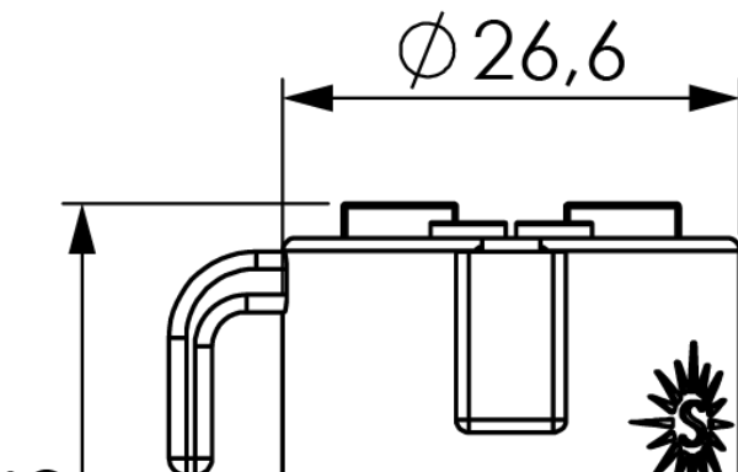
## Sustainability

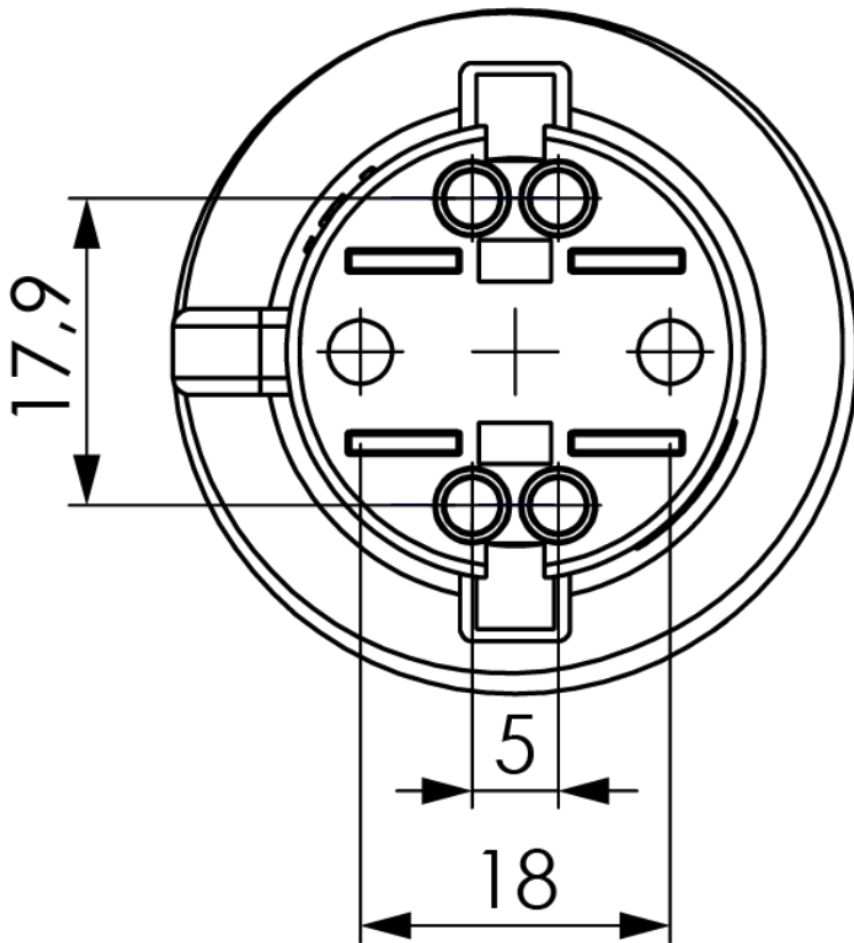
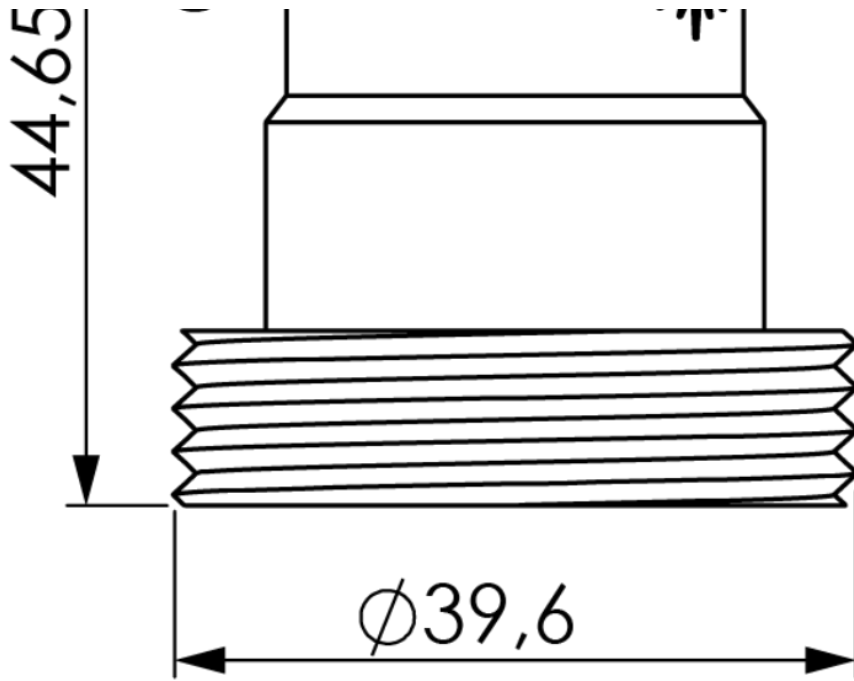
According to European Directive 2011/65/UE (RoHS)	Yes
According to European Directive 2012/19/UE (RAEE2)	Yes
According to Regulations (RoHS)	UNE-EN IEC 63000:2022

## Logistics and packaging

Unit EAN code	8423220235472
EAN code container	8423220235472
EAN code packaging	18423220235479
Units packaging	25
Units carton	400
Pallet Units	14000
Packaging Measurements cm	14,5x8,8x19
Packaging Measures cm	59,5x37,5x20
Unit weight (g)	15,2
Container Weight (Kg)	0,4441
Packaging Weight (Kg)	7,6456
Tariff code	85366110

## Sketch

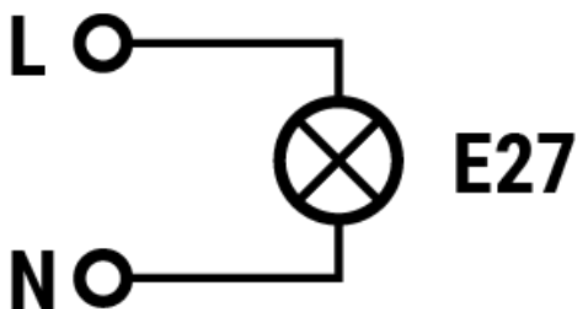






Sketch

# PORTALÁMPARAS E27



## Documentation and downloads



Safety Information (0.38MB)