

## Surface lampholder E-27. 4A 250V. Curved socket.

Surface-mounted E27 lamp holder with curved black base. Made of thermoplastic. Screw terminals.



### Features

Common applications	Indoor domestic / tertiary environment (Interior of home, offices, shops, etc.)
Material	Thermoplastic
Tension	250 V~
Electricity	4 A
Fixation System	Mural
Maximum power	75W
Color	Black

### Technical data

Free of halogens	Yes
------------------	-----

### Regulations

CE marking	Yes
UK marking	Yes
CMim marking	Yes
According to Regulations UNE/EN	UNE-EN 60238:2018
In accordance with the Low Voltage Electrotechnical Regulations (REBT)	Yes

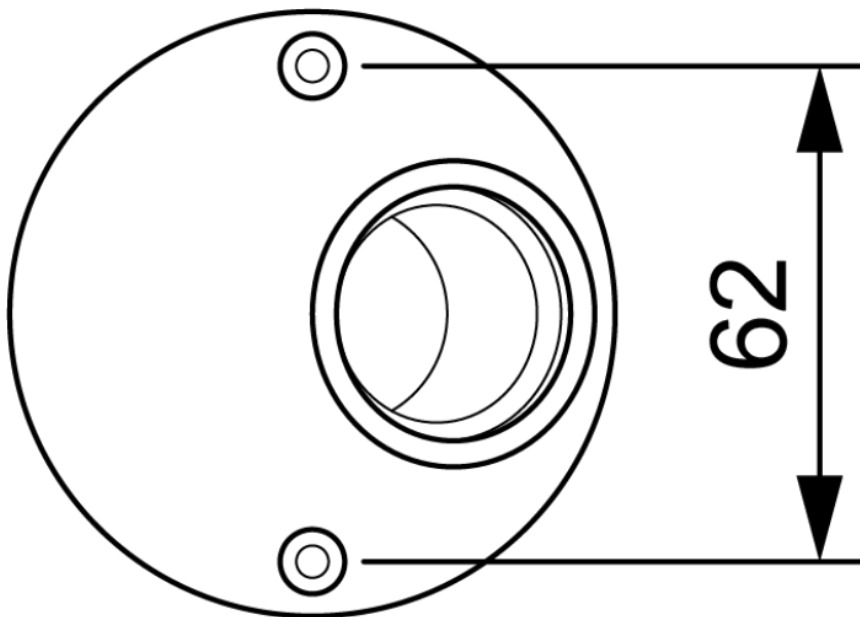
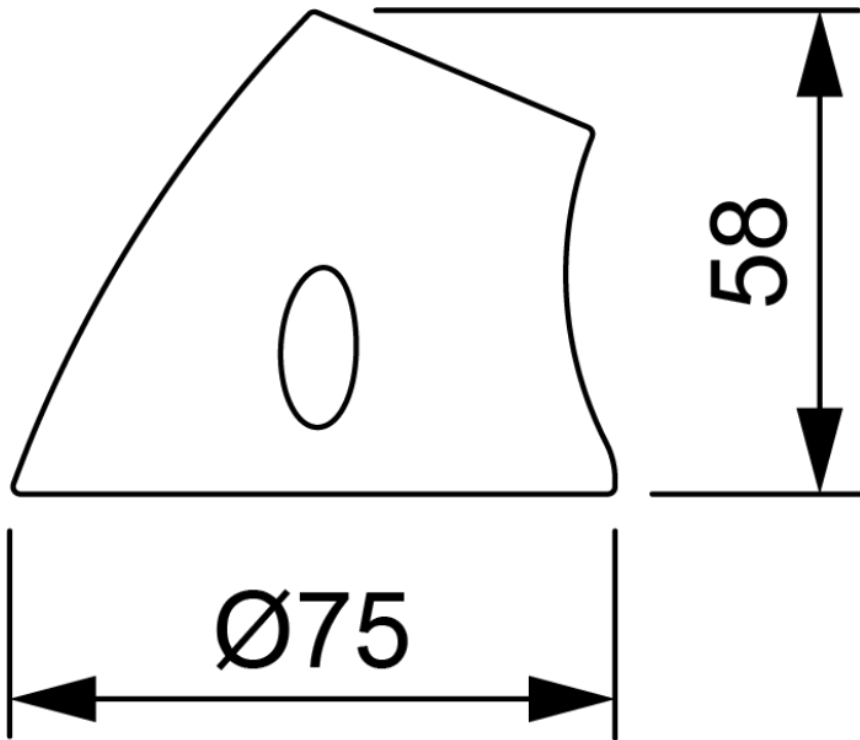
### Sustainability

According to European Directive 2011/65/UE (RoHS)	Yes
According to European Directive 2012/19/UE (RAEE2)	Yes
According to Regulations (RoHS)	UNE-EN IEC 63000:2022

## Logistics and packaging

Unit EAN code	8423220236967
EAN code container	8423220001435
EAN code packaging	18423220001432
Units packaging	10
Units carton	160
Pallet Units	5600
Packaging Measurements cm	14,5x8,8x19
Packaging Measures cm	59,5x37,5x20
Unit weight (g)	45
Container Weight (Kg)	0,497
Packaging Weight (Kg)	8,532
Tariff code	85366110

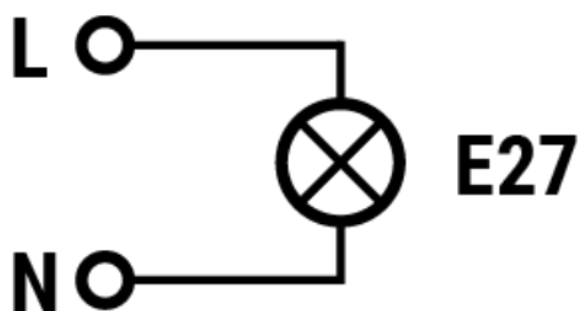
## Sketch



Sketch

# PORTALÁMPARAS

## E27



### Documentation and downloads



Safety Information (0.38MB)