

## Shade ring. Black colour.

Black fixing washer designed for E14 threaded lamp holders. Compatible with models 6584CRN and 6584CTN. Made from high-resistance thermoplastic, it ensures a secure fit in decorative or technical lighting assemblies.



## Features

Common applications	Indoor domestic / tertiary environment (Interior of home, offices, shops, etc.)
Material	Thermoplastic
Threaded body	Yes
Color	Black
Threaded stud length in glands	sí

## Technical data

Free of halogens	Yes
------------------	-----

## Regulations

CE marking	Yes
UK marking	Yes
CMim marking	Yes
According to Regulations UNE/EN	UNE-EN 60238:2018
In accordance with the Low Voltage Electrotechnical Regulations (REBT)	Yes
According to European Directive 2014/35 / EU. Low voltage directive	Yes

## Sustainability

According to European Directive 2011/65/UE (RoHS)	The Directive 2011/65/EU (RoHS II) is not applicable as it does not correspond to the definition of Electrical and Electronical Equipment (EEE) as per article 3.1
---	--

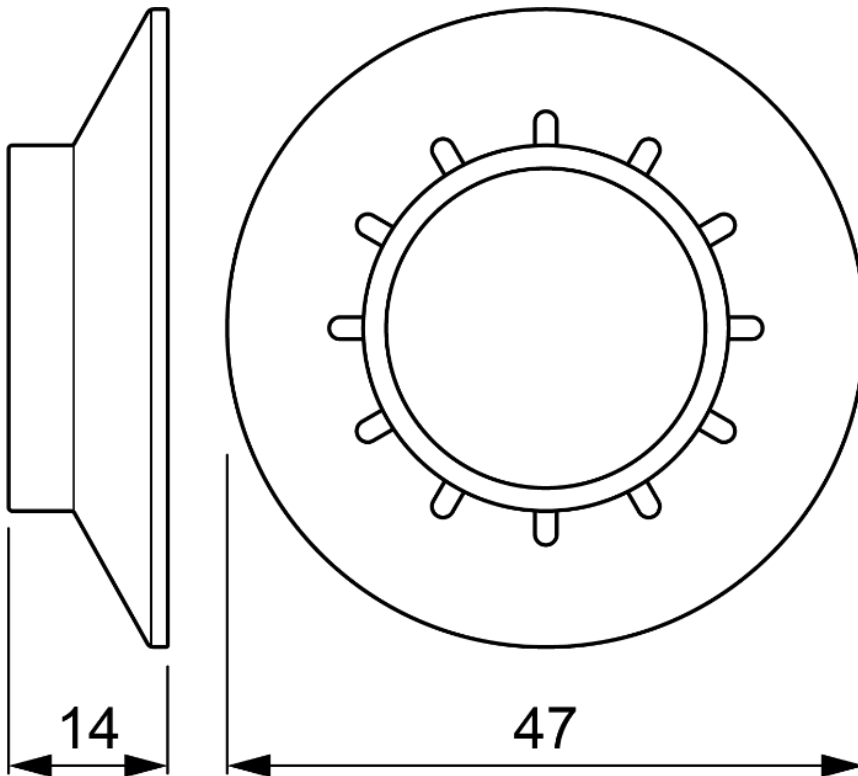
According to European Directive  
2012/19/UE (RAEE2)

Not applicable because it does not meet the definition of Electrical and Electronic  
Equipment (EEE) as described in Article 3.1(a) of Directive 2012/19/EU (WEEE II).

## Logistics and packaging

Unit EAN code	8423220237476
EAN code container	8423220007314
EAN code packaging	18423220007311
Units packaging	100
Units carton	1600
Pallet Units	56000
Packaging Measurements cm	14,5x8,8x19
Packaging Measures cm	59,5x37,5x20
Unit weight (g)	5
Container Weight (Kg)	0,5641
Packaging Weight (Kg)	9,5656
Tariff code	85366110

## Sketch





## Documentation and downloads



Safety Information (0.38MB)