

Luminaire junction box 73 x 27 x 37 mm. With 3P terminal.

IP20 junction box for luminaires with 3P terminal for 0.5–2.5 mm² cables and Ø 4–5 mm cable entry. Black body, 16A, 450V~. Dimensions: 73 x 27 x 37 mm.



Features

Installation method	Surface
Use	Domestic / Tertiary
Location type	Inside
Dimensions outside (mm) (width x height x depth)	73x27x32
Cable section	0,5-2,5mm ² .
Case material	Insulation
Case color	Black
Battens included	Yes (Screw terminals)
Lid closure system	A Pressure
Common applications	Indoor domestic / tertiary environment (Interior of home, offices, shops, etc.)
Material	Thermoplastic
Nominal current	16A
Nominal voltage	250V~
Color	Black
Number of terminals	3
Flexible cable maximum section	2,5 mm ²

Technical data

Insulation class	Class II
Fire resistance (GWEPT)	650 °C

UV resistance	Yes
Free of halogens	Yes
Suitable for saline environments	Yes

Regulations

CE marking	Yes
UK marking	Yes
CMim marking	Yes
According to Regulations UNE/EN	UNE-EN 60670-22:2007
In accordance with the Low Voltage Electrotechnical Regulations (REBT)	Yes
According to European Directive 2014/35 / EU. Low voltage directive	Yes

Sustainability

According to European Directive 2011/65/UE (RoHS)	The box does not correspond to the definition of Electrical and Electronical Equipment (EEE), but the included devices are affected individually.
According to European Directive 2012/19/UE (RAEE2)	The box does not correspond to the definition of Electrical and Electronical Equipment (EEE), but the included devices are affected individually.

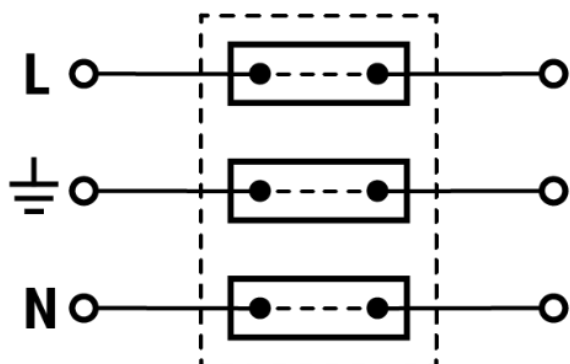
Logistics and packaging

Unit EAN code	8423220201415
EAN code container	8423220201347
EAN code packaging	18423220201344
Units packaging	50
Units carton	250
Pallet Units	6000
Packaging Measures cm	52x41x34
Unit weight (g)	22,6
Container Weight (Kg)	1,47
Packaging Weight (Kg)	8,282
Tariff code	85371098

Sketch

TERMINAL DE CONEXIÓN

BK-L3P



Documentation and downloads

[Safety Information \(0.38MB\)](#)