

Mobile industrial socket 3P+E, 16A 400V~. IP67.

Mobile industrial socket 3P+E, 16A 400V~. IP67.



Features

Common applications	Industrial environments (factories, warehouses, etc.)
Type	Mobile industrial socket
No. of poles	3P + T
Type of terminal connection	Screw connection
Earth position	6h
Nominal current	16A
Nominal voltage	400V
Color	Red

Technical data

Protection Degree (IK)	IK09
Impact shock resistance	Strong
Fire resistance (GWEPT)	850 °C
Heat resistance (Ball pressure)	125 °C
Ambient operating temperature	-5 °C ; +40 °C
Dimensional stability	-25 °C -> +80 °C
Free of halogens	Yes

Regulations

CE marking	Yes
UK marking	Yes
CMim marking	Yes
According to Regulations UNE/EN	UNE-EN 60309-1:2023 UNE-EN 60309-2:2023

In accordance with the Low Voltage Electrotechnical Regulations (REBT)	Yes
--	-----

According to European Directive 2014/35 / EU. Low voltage directive	Yes
---	-----

Sustainability

According to European Directive 2011/65/UE (RoHS)	Yes
---	-----

According to European Directive 2012/19/UE (RAEE2)	Yes
--	-----

According to Regulations (RoHS)	UNE-EN IEC 63000:2022
---------------------------------	-----------------------

Logistics and packaging

Unit EAN code	8423220042858
---------------	---------------

EAN code container	8423220042858
--------------------	---------------

EAN code packaging	18423220042855
--------------------	----------------

Units packaging	1
-----------------	---

Units carton	10
--------------	----

Pallet Units	99999
--------------	-------

Packaging Measures cm	28,8x19x17
-----------------------	------------

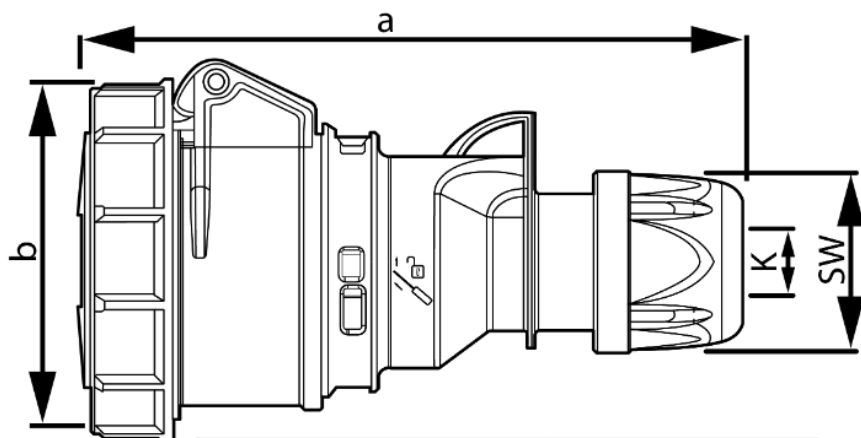
Unit weight (g)	187,2
-----------------	-------

Container Weight (Kg)	0,1872
-----------------------	--------

Packaging Weight (Kg)	2,019
-----------------------	-------

Tariff code	85366990
-------------	----------

Sketch



Ampere	16				32			
	3	4	5	7	3	4	5	7
a	132	139	147	147	163	163	171	171
b	78	84	92	92	96	96	102	102
K	6-15	6-15	8-16	8-16	11,5-20	11,5-20	11,5-22	11,5-22
SW	42	42	42	42	50	50	50	50



Documentation and downloads



Safety Information (0.38MB)