

## Mobile industrial socket 2P+E, 32A 230V~. IP44

Mobile industrial socket 2P+E, 32A 230V~. IP44



### Features

Common applications	Industrial environments (factories, warehouses, etc.)
Type	Mobile industrial socket
No. of poles	2P + T
Type of terminal connection	Screw connection
Earth position	6h
Nominal current	32A
Nominal voltage	230V
Color	Blue

### Technical data

Protection Degree (IK)	IK09
Impact shock resistance	Strong
Fire resistance (GWEPT)	850 °C
Heat resistance (Ball pressure)	125 °C
Ambient operating temperature	-5 °C ; +40 °C
Dimensional stability	-25 °C -> +80 °C
Free of halogens	Yes

### Regulations

CE marking	Yes
------------	-----

According to Regulations UNE/EN	UNE-EN 60309-1:2023 UNE-EN 60309-2:2023
In accordance with the Low Voltage Electrotechnical Regulations (REBT)	Yes
According to European Directive 2014/35 / EU. Low voltage directive	Yes

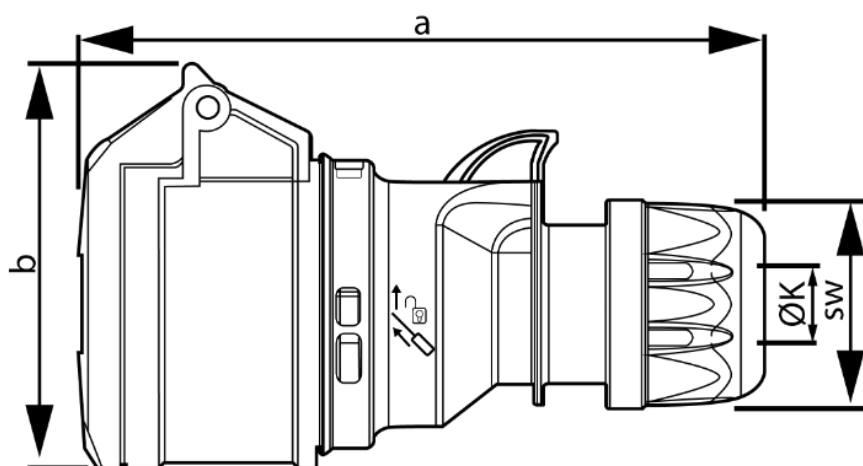
## Sustainability

According to European Directive 2011/65/UE (RoHS)	Yes
According to European Directive 2012/19/UE (RAEE2)	Yes
According to Regulations (RoHS)	UNE-EN IEC 63000:2022

## Logistics and packaging

Unit EAN code	8423220042810
EAN code container	8423220042810
EAN code packaging	18423220042817
Units packaging	1
Units carton	10
Pallet Units	99999
Packaging Measures cm	29x19x16,5
Unit weight (g)	3000
Container Weight (Kg)	3
Packaging Weight (Kg)	30,147
Tariff code	85366990

## Sketch



Ampere	16				32			
Pole	3	4	5	7	3	4	5	7
a [mm]	133	138	145	145	161	161	168	168
b [mm]	74	82	89	89	94	94	99	99
K [mm]	6-15	6-15	8-16	8-16	11,5-20	11,5-20	11,5-22	11,5-22
SW [mm]	42	42	42	42	50	50	50	50



## Documentation and downloads



Safety Information (0.38MB)