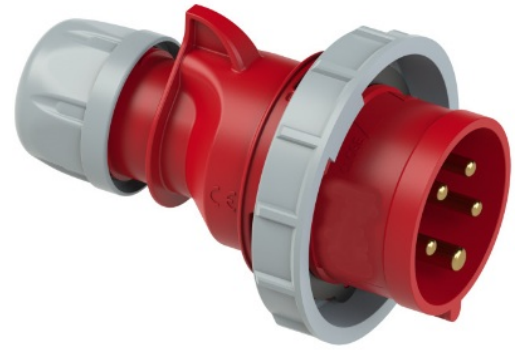


## Mobile industrial plug 3P+N+E, 16A 400V~. IP67.

Mobile industrial plug 3P+N+E, 16A 400V~. IP67.



### Features

Common applications	Industrial environments (factories, warehouses, etc.)
Type	Mobile industrial plug
No. of poles	3P + N + T
Type of terminal connection	Screw connection
Earth position	6h
Nominal current	16A
Nominal voltage	400V
Color	Red

### Technical data

Protection Degree (IK)	IK09
Impact shock resistance	Strong
Fire resistance (GWEPT)	850 °C
Heat resistance (Ball pressure)	125 °C
Ambient operating temperature	-5 °C ; +40 °C
Dimensional stability	-25 °C -> +80 °C
Free of halogens	Yes

### Regulations

CE marking	Yes
------------	-----

UK marking	Yes
CMim marking	Yes
According to Regulations UNE/EN	UNE-EN 60309-1:2023 UNE-EN 60309-2:2023
In accordance with the Low Voltage Electrotechnical Regulations (REBT)	Yes
According to European Directive 2014/35 / EU. Low voltage directive	Yes

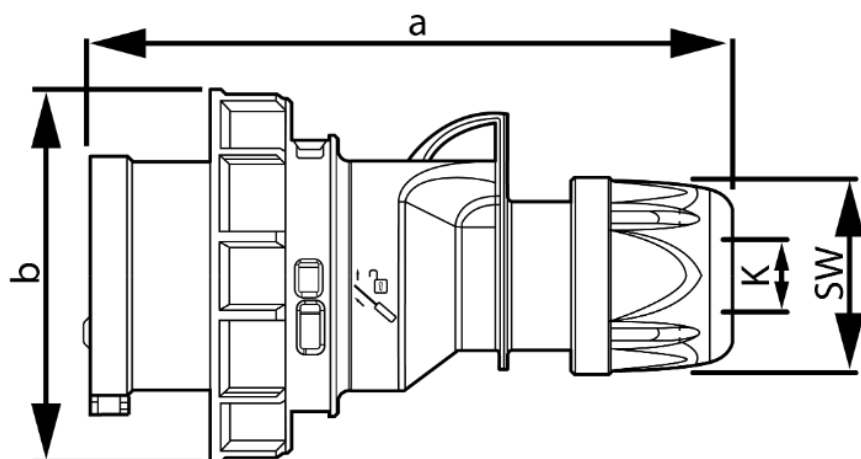
## Sustainability

According to European Directive 2011/65/UE (RoHS)	Yes
According to European Directive 2012/19/UE (RAEE2)	Yes
According to Regulations (RoHS)	UNE-EN IEC 63000:2022

## Logistics and packaging

Unit EAN code	8423220042735
EAN code container	8423220042735
EAN code packaging	18423220042732
Units packaging	1
Units carton	10
Pallet Units	99999
Packaging Measures cm	29x19x23
Unit weight (g)	186,6
Container Weight (Kg)	0,1866
Packaging Weight (Kg)	2,037
Tariff code	85366990

## Sketch



Ampere	16				32			
Pole	3	4	5	7	3	4	5	7
a	122	128	134	134	150	150	155	155
b	71	79	87	87	93	93	100	100
K	6-15	6-15	8-16	8-16	11,5-20	11,5-20	11,5-22	11,5-22
SW	42	42	42	42	50	50	50	50



## Documentation and downloads



Safety Information (0.38MB)