

## Mobile industrial plug 3P+E, 63A 400V~. IP67.

Mobile industrial plug 3P+E, 63A 400V~. IP67.



### Features

Common applications	Industrial environments (factories, warehouses, etc.)
Type	Mobile industrial plug
No. of poles	3P + T
Type of terminal connection	Screw connection
Earth position	6h
Nominal current	63A
Nominal voltage	400V
Color	Red

### Technical data

Protection Degree (IK)	IK09
Impact shock resistance	Strong
Fire resistance (GWEPT)	850 °C
Heat resistance (Ball pressure)	125 °C
Ambient operating temperature	-5 °C ; +40 °C
Dimensional stability	-25 °C -> +80 °C
Free of halogens	Yes

### Regulations

CE marking	Yes
------------	-----

UK marking	Yes
CMim marking	Yes
According to Regulations UNE/EN	UNE-EN 60309-1:2023 UNE-EN 60309-2:2023
In accordance with the Low Voltage Electrotechnical Regulations (REBT)	Yes
According to European Directive 2014/35 / EU. Low voltage directive	Yes

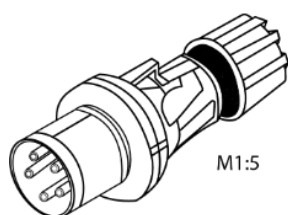
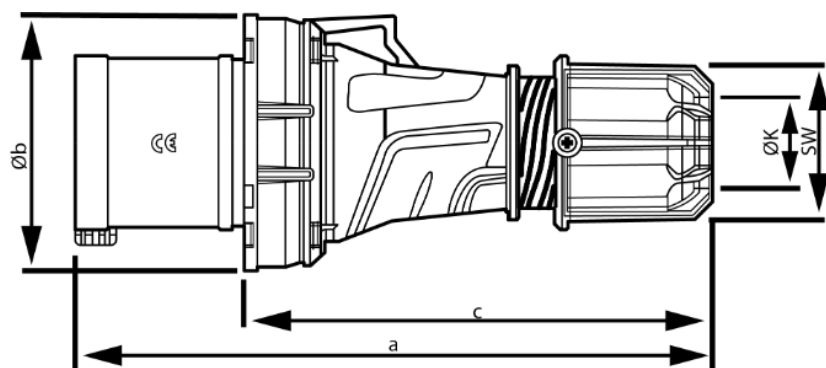
## Sustainability

According to European Directive 2011/65/UE (RoHS)	Yes
According to European Directive 2012/19/UE (RAEE2)	Yes
According to Regulations (RoHS)	UNE-EN IEC 63000:2022

## Logistics and packaging

Unit EAN code	8423220042667
EAN code container	8423220042667
EAN code packaging	18423220042664
Units packaging	1
Units carton	2
Pallet Units	99999
Packaging Measures cm	28,5x19x13,5
Unit weight (g)	619,4
Container Weight (Kg)	0,6194
Packaging Weight (Kg)	1,3718
Tariff code	85366990

## Sketch



Ampere	63		
Pole	3	4	5
a[mm]	250	250	250
b [mm]	102	102	102
SW [mm]	61	61	61
K [mm]	14,5-36	14,5-36	14,5-36



## Documentation and downloads



Safety Information (0.38MB)