

Mobile industrial plug 3P+E, 32A 400V~. IP67.

Mobile industrial plug 3P+E, 32A 400V~. IP67.



Features

Common applications	Industrial environments (factories, warehouses, etc.)
Type	Mobile industrial plug
No. of poles	3P + T
Type of terminal connection	Screw connection
Earth position	6h
Nominal current	32A
Nominal voltage	400V
Color	Red

Technical data

Protection Degree (IK)	IK09
Impact shock resistance	Strong
Fire resistance (GWEPT)	850 °C
Heat resistance (Ball pressure)	125 °C
Ambient operating temperature	-5 °C ; +40 °C
Dimensional stability	-25 °C -> +80 °C
Free of halogens	Yes

Regulations

CE marking	Yes
------------	-----

According to Regulations UNE/EN	UNE-EN 60309-1:2023 UNE-EN 60309-2:2023
In accordance with the Low Voltage Electrotechnical Regulations (REBT)	Yes
According to European Directive 2014/35 / EU. Low voltage directive	Yes

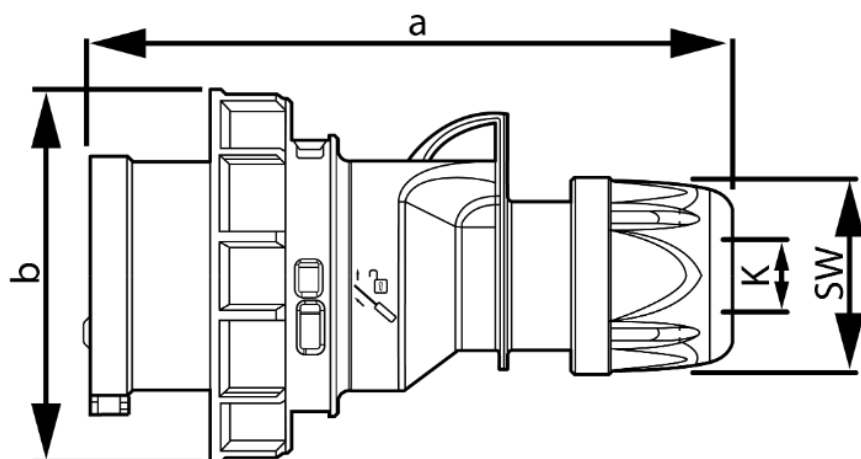
Sustainability

According to European Directive 2011/65/UE (RoHS)	Yes
According to European Directive 2012/19/UE (RAEE2)	Yes
According to Regulations (RoHS)	UNE-EN IEC 63000:2022

Logistics and packaging

Unit EAN code	8423220042759
EAN code container	8423220042759
EAN code packaging	18423220042756
Units packaging	1
Units carton	10
Pallet Units	99999
Packaging Measures cm	29x19x23
Unit weight (g)	236,4
Container Weight (Kg)	0,2364
Packaging Weight (Kg)	2,535
Tariff code	85366990

Sketch



Ampere	16				32			
Pole	3	4	5	7	3	4	5	7
a	122	128	134	134	150	150	155	155
b	71	79	87	87	93	93	100	100
K	6-15	6-15	8-16	8-16	11,5-20	11,5-20	11,5-22	11,5-22
SW	42	42	42	42	50	50	50	50



Documentation and downloads



Safety Information (0.38MB)