

Mobile industrial plug 2P+E, 32A 230V~. IP67

Mobile industrial plug 2P+E, 32A 230V~. IP67



Features

Common applications	Industrial environments (factories, warehouses, etc.)
Type	Mobile industrial plug
No. of poles	2P + T
Type of terminal connection	Screw connection
Earth position	6h
Nominal current	32A
Nominal voltage	230V
Color	Blue

Technical data

Protection Degree (IK)	IK09
Impact shock resistance	Strong
Fire resistance (GWEPT)	850 °C
Heat resistance (Ball pressure)	125 °C
Ambient operating temperature	-5 °C ; +40 °C
Dimensional stability	-25 °C -> +80 °C
Free of halogens	Yes

Regulations

CE marking	Yes
------------	-----

According to Regulations UNE/EN	UNE-EN 60309-1:2023 UNE-EN 60309-2:2023
In accordance with the Low Voltage Electrotechnical Regulations (REBT)	Yes
According to European Directive 2014/35 / EU. Low voltage directive	Yes

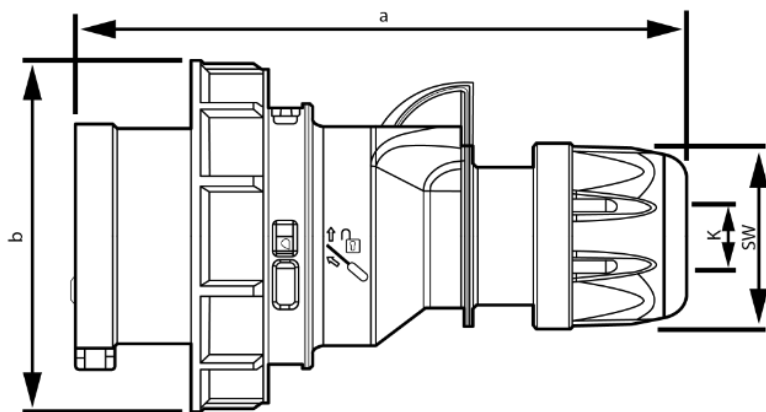
Sustainability

According to European Directive 2011/65/UE (RoHS)	Yes
According to European Directive 2012/19/UE (RAEE2)	Yes
According to Regulations (RoHS)	UNE-EN IEC 63000:2022

Logistics and packaging

Unit EAN code	8423220042742
EAN code container	8423220042742
EAN code packaging	18423220042749
Units packaging	1
Units carton	10
Pallet Units	99999
Packaging Measures cm	29x19x23
Unit weight (g)	218,8
Container Weight (Kg)	0,2188
Packaging Weight (Kg)	2,359
Tariff code	85366990

Sketch



Ampere	16				32			
	3	4	5	7	3	4	5	7
a	122	128	134	134	150	150	155	155
b	71	79	87	87	93	93	100	100
K	6-15	6-15	8-16	8-16	11,5-20	11,5-20	11,5-22	11,5-22
SW	42	42	42	42	50	50	50	50



Documentation and downloads



Safety Information (0.38MB)