

Mobile industrial plug 3P+N+E, 63A 400V~. IP44.

Industrial mobile plug with 3 poles + neutral + earth, rated at 63A 400V~. Designed for high-power three-phase applications in demanding industrial environments. Its IP44 rating provides adequate protection against dust and water splashes. Built with durable, heat- and impact-resistant materials, it ensures safe and stable connections for mobile setups, heavy machinery, or temporary distribution panels. The ergonomic design allows for easy handling and reliable connections even under intensive use.



Features

Common applications	Industrial environments (factories, warehouses, etc.)
Type	Mobile industrial plug
No. of poles	3P + N + T
Type of terminal connection	Screw connection
Earth position	6h
Nominal current	63A
Nominal voltage	400V
Color	Red

Technical data

Protection Degree (IK)	IK09
Impact shock resistance	Strong
Fire resistance (GWEPT)	850 °C
Heat resistance (Ball pressure)	125 °C
Ambient operating temperature	-5 °C ; +40 °C
Dimensional stability	-25 °C -> +80 °C
Free of halogens	Yes

Regulations

CE marking	Yes
UK marking	Yes
CMim marking	Yes
According to Regulations UNE/EN	UNE-EN 60309-1:2023 UNE-EN 60309-2:2023
In accordance with the Low Voltage Electrotechnical Regulations (REBT)	Yes
According to European Directive 2014/35 / EU. Low voltage directive	Yes

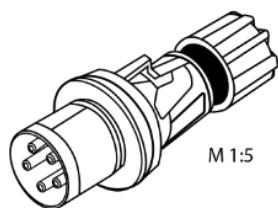
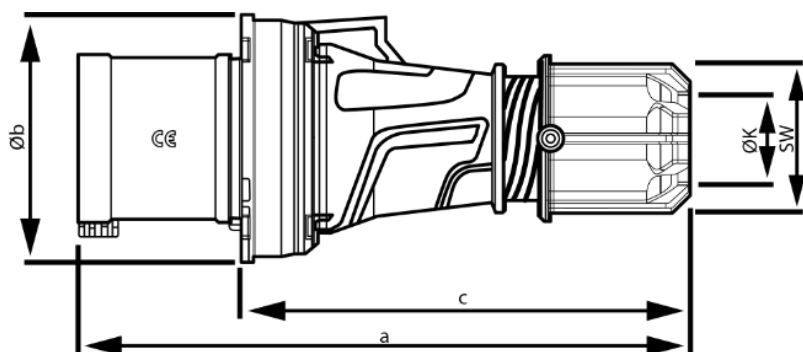
Sustainability

According to European Directive 2011/65/UE (RoHS)	Yes
According to European Directive 2012/19/UE (RAEE2)	Yes
According to Regulations (RoHS)	UNE-EN IEC 63000:2022

Logistics and packaging

Unit EAN code	8423220068841
EAN code container	8423220068841
EAN code packaging	18423220068848
Units packaging	1
Units carton	2
Pallet Units	99999
Packaging Measures cm	28,8x19x17
Unit weight (g)	234
Container Weight (Kg)	0,234
Packaging Weight (Kg)	0,615
Tariff code	85366990

Sketch



Ampere	63		
Pole	3	4	5
a [mm]	250	250	250
b [mm]	102	102	102
c [mm]	184	184	184
K [mm]	14,5-36	14,5-36	14,5-36
SW [mm]	61	61	61



Documentation and downloads



Safety Information (0.38MB)