

Industrial surface plug 2P+E, 16A 230V~. IP67

Industrial surface plug 2P+E, 16A 230V~. IP67



Features

Common applications	Industrial environments (factories, warehouses, etc.)
Type	Surface Flush plugs
No. of poles	2P + T
Type of terminal connection	Screw connection
Earth position	6h
Nominal current	16A
Nominal voltage	230V
Color	Blue

Technical data

Protection Degree (IK)	IK09
Impact shock resistance	Strong
Fire resistance (GWEPT)	850 °C
Heat resistance (Ball pressure)	125 °C
Ambient operating temperature	-5 °C ; +40 °C
Dimensional stability	-25 °C -> +80 °C
Free of halogens	Yes

Regulations

CE marking	Yes
UK marking	Yes

CMim marking	Yes
According to Regulations UNE/EN	UNE-EN 60309-1:2023 UNE-EN 60309-2:2023
In accordance with the Low Voltage Electrotechnical Regulations (REBT)	Yes
According to European Directive 2014/35 / EU. Low voltage directive	Yes

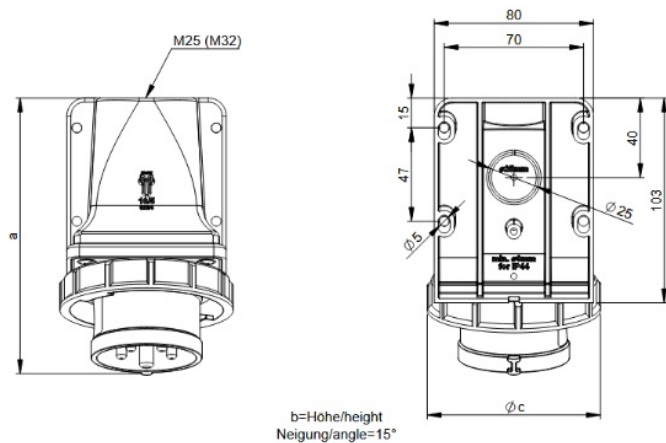
Sustainability

According to European Directive 2011/65/UE (RoHS)	Yes
According to European Directive 2012/19/UE (RAEE2)	Yes
According to Regulations (RoHS)	UNE-EN IEC 63000:2022

Logistics and packaging

Units packaging	1
Units carton	10
Pallet Units	99999
Tariff code	85366990

Sketch



Ampere	16				32			
Pole	3	4	5	7	3	4	5	7
a [mm]	136	138	140	140	150	150	152	152
b [mm]	99	94	100	100	104	104	102	102
c [mm]	71	79	87	87	93	93	102	102
M [mm]	25	25	25	25	25	25	25	25



Documentation and downloads



Safety Information (0.38MB)