

Industrial surface plug 2P+E, 32A 230V~. IP44

Industrial surface plug 2P+E, 32A 230V~. IP44



Features

Common applications	Industrial environments (factories, warehouses, etc.)
Type	Surface Flush plugs
No. of poles	2P + T
Type of terminal connection	Screw connection
Earth position	6h
Nominal current	32A
Nominal voltage	230V
Color	Blue

Technical data

Protection Degree (IK)	IK09
Impact shock resistance	Strong
Fire resistance (GWEPT)	850 °C
Heat resistance (Ball pressure)	125 °C
Ambient operating temperature	-5 °C ; +40 °C
Dimensional stability	-25 °C -> +80 °C
Free of halogens	Yes

Regulations

CE marking	Yes
------------	-----

UK marking	Yes
CMim marking	Yes
According to Regulations UNE/EN	UNE-EN 60309-1:2023 UNE-EN 60309-2:2023
In accordance with the Low Voltage Electrotechnical Regulations (REBT)	Yes
According to European Directive 2014/35 / EU. Low voltage directive	Yes

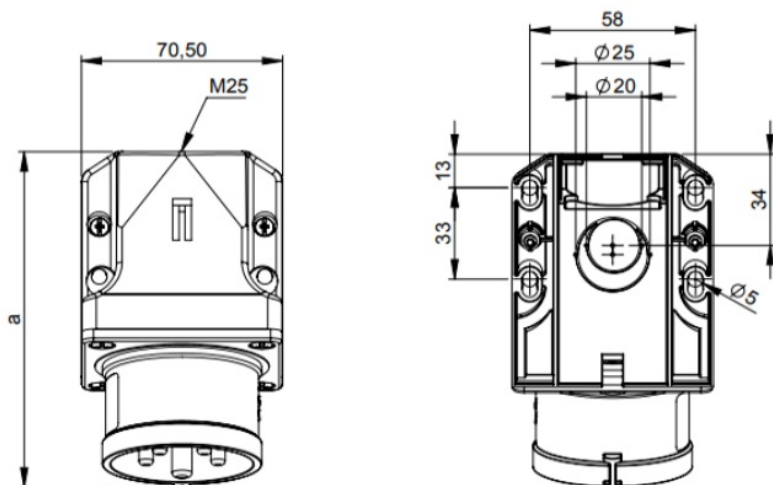
Sustainability

According to European Directive 2011/65/UE (RoHS)	Yes
According to European Directive 2012/19/UE (RAEE2)	Yes
According to Regulations (RoHS)	UNE-EN IEC 63000:2022

Logistics and packaging

Unit EAN code	8423220046443
EAN code container	8423220046443
EAN code packaging	18423220046440
Units packaging	1
Units carton	10
Pallet Units	99999
Packaging Measures cm	29x19x23
Unit weight (g)	214,6
Container Weight (Kg)	0,2146
Packaging Weight (Kg)	2,317
Tariff code	85366990

Sketch



Ampere	16				32			
Pole	3	4	5	7	3	4	5	7
a [mm]	120	121	122	122	131	131	132	132
b [mm]	76	76	79	79	82	82	85	85
M [mm]	25	25	25	25	25	25	25	25



Documentation and downloads



Safety Information (0.38MB)