

Industrial surface interlocked socket 3P+N+E, 63A 400V~. IP67

Wall-mounted industrial base with interlock system, fitted with 3 poles + neutral + earth, rated at 63A and 400V~. The interlock prevents disconnection under load, ensuring safe operation. With IP67 protection, it offers full sealing against dust and water, suitable for harsh environments or outdoor use. Perfect for high-power three-phase industrial applications.



Features

| | |
|-----------------------------|---|
| Common applications | Industrial environments (factories, warehouses, etc.) |
| Type | Surface Flush sockets |
| No. of poles | 3P + N + T |
| Type of terminal connection | Screw connection |
| Earth position | 6h |
| Interlocking | Yes |
| Nominal current | 63A |
| Nominal voltage | 400V |
| Color | Red |

Technical data

| | |
|---------------------------------|------------------|
| Protection Degree (IK) | IK09 |
| Impact shock resistance | Strong |
| Fire resistance (GWEPT) | 850 °C |
| Heat resistance (Ball pressure) | 125 °C |
| Ambient operating temperature | -5 °C ; +40 °C |
| Dimensional stability | -25 °C -> +80 °C |
| Free of halogens | Yes |

Regulations

| | |
|--|--|
| CE marking | Yes |
| UK marking | Yes |
| CMim marking | Yes |
| According to Regulations UNE/EN | UNE-EN 60309-1:2023 UNE-EN 60309-2:2023 |
| In accordance with the Low Voltage Electrotechnical Regulations (REBT) | Yes |
| According to European Directive 2014/35 / EU. Low voltage directive | Yes |

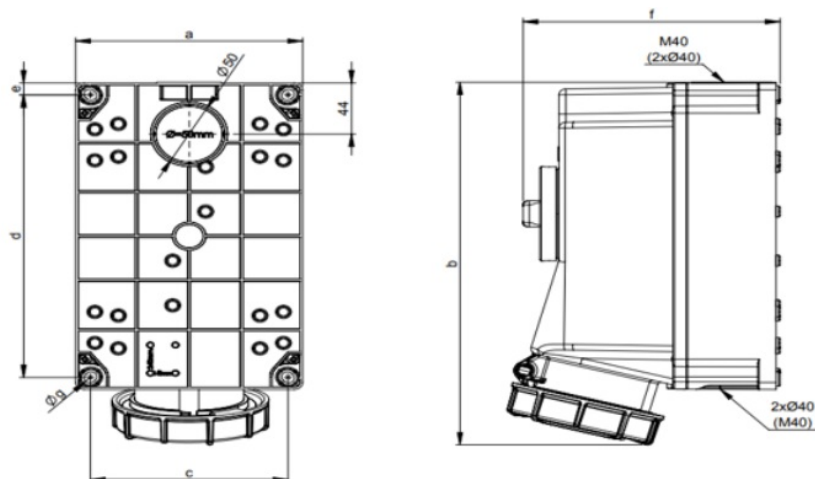
Sustainability

| | |
|--|-----------------------|
| According to European Directive 2011/65/UE (RoHS) | Yes |
| According to European Directive 2012/19/UE (RAEE2) | Yes |
| According to Regulations (RoHS) | UNE-EN IEC 63000:2022 |

Logistics and packaging

| | |
|-----------------------|----------------|
| Unit EAN code | 8423220043435 |
| EAN code container | 8423220043435 |
| EAN code packaging | 18423220043432 |
| Units packaging | 1 |
| Units carton | 1 |
| Pallet Units | 99999 |
| Packaging Measures cm | 33x26x17 |
| Packaging Weight (Kg) | 2,375 |
| Tariff code | 85366990 |

Sketch



| Ampere | 63 | | |
|--------|-----|-----|-----|
| Pole | 3 | 4 | 5 |
| a [mm] | 162 | 162 | 162 |
| b [mm] | 310 | 310 | 310 |
| c [mm] | 140 | 140 | 140 |
| d [mm] | 240 | 240 | 240 |
| e [mm] | 11 | 11 | 11 |
| f [mm] | 184 | 184 | 184 |
| g [mm] | 9 | 9 | 9 |



Documentation and downloads



Safety Information (0.38MB)