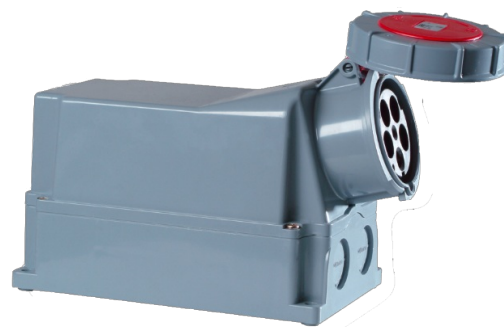


## Industrial surface socket 3P+N+E, 32A 400V~. IP67

Industrial surface socket 3P+N+E, 32A 400V~. IP67



### Features

Common applications	Industrial environments (factories, warehouses, etc.)
Type	Industrial wall base
No. of poles	3P + N + T
Type of terminal connection	Screw connection
Earth position	6h
Nominal current	32A
Nominal voltage	400V
Color	Red

### Technical data

Protection Degree (IK)	IK09
Impact shock resistance	Strong
Fire resistance (GWEPT)	850 °C
Heat resistance (Ball pressure)	125 °C
Ambient operating temperature	-5 °C ; +40 °C
Dimensional stability	-25 °C -> +80 °C
Free of halogens	Yes

### Regulations

CE marking	Yes
UK marking	Yes
CMim marking	Yes

According to Regulations UNE/EN	UNE-EN 60309-1:2023 UNE-EN 60309-2:2023
In accordance with the Low Voltage Electrotechnical Regulations (REBT)	Yes
According to European Directive 2014/35 / EU. Low voltage directive	Yes

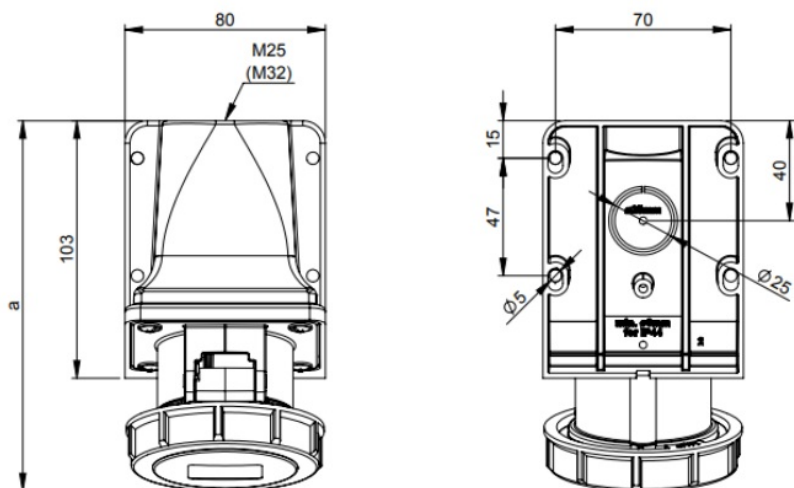
## Sustainability

According to European Directive 2011/65/UE (RoHS)	Yes
According to European Directive 2012/19/UE (RAEE2)	Yes
According to Regulations (RoHS)	UNE-EN IEC 63000:2022

## Logistics and packaging

Unit EAN code	8423220058590
EAN code container	8423220058590
EAN code packaging	18423220058597
Units packaging	1
Units carton	5
Pallet Units	99999
Packaging Measures cm	29x19x23
Unit weight (g)	356,4
Container Weight (Kg)	0,3564
Packaging Weight (Kg)	1,953
Tariff code	85366990

## Sketch



Ampere	16				32			
Pole	3	4	5	7	3	4	5	7
a [mm]	146	148	148	148	161	161	163	163
b [mm]	96	99	102	102	108	108	112	112
M [mm]	25	25	25	25	25	25	25	25



## Documentation and downloads



Safety Information (0.38MB)